

ROVATTI PTO SLURRY PUMP PARTS MANUAL



TUCKASEE IRRIGATION INC

300 DAV ROAD, PO BOX 837

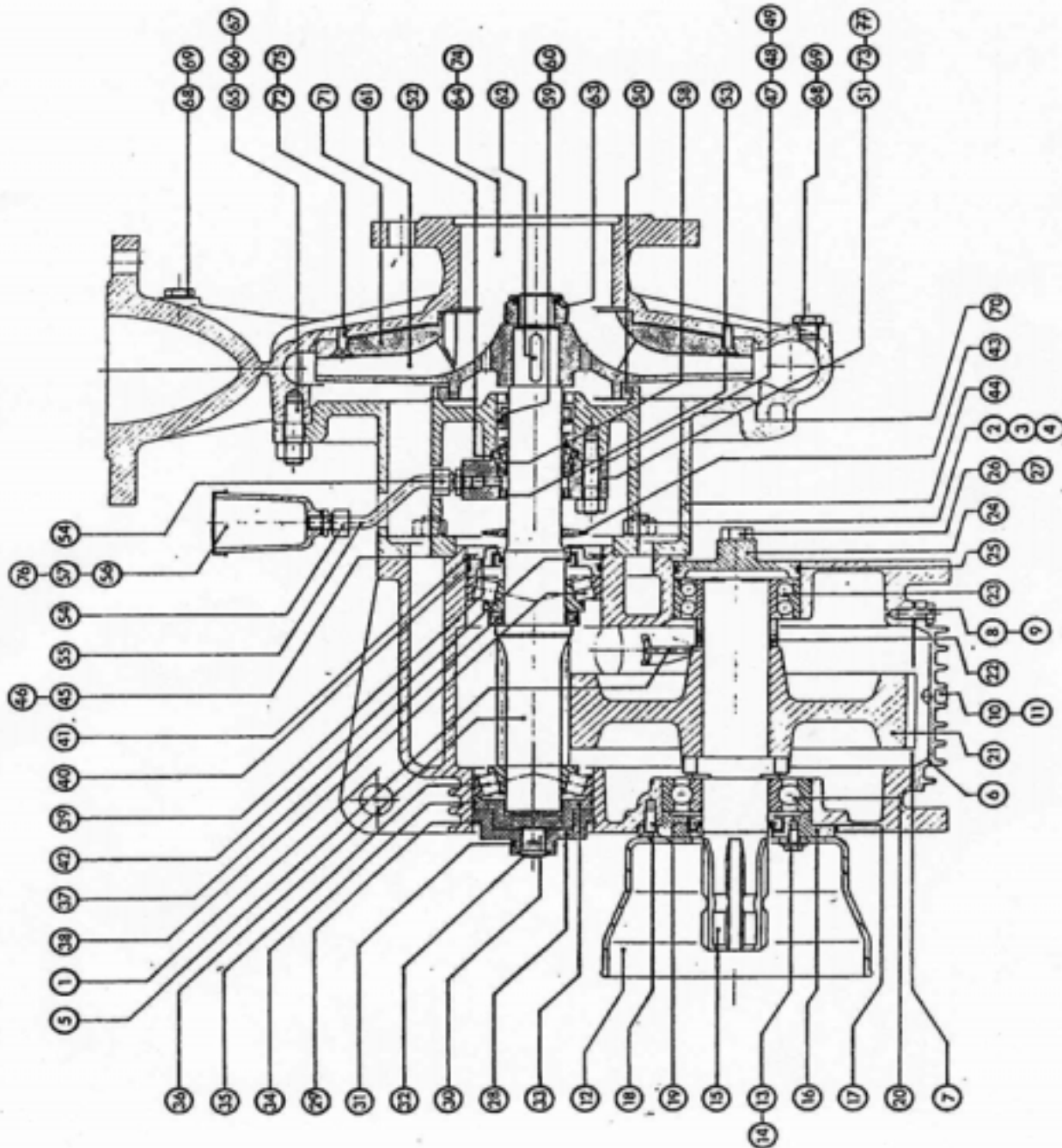
RUSSELLVILLE, KY 42276

PHONE: 800-725-5986

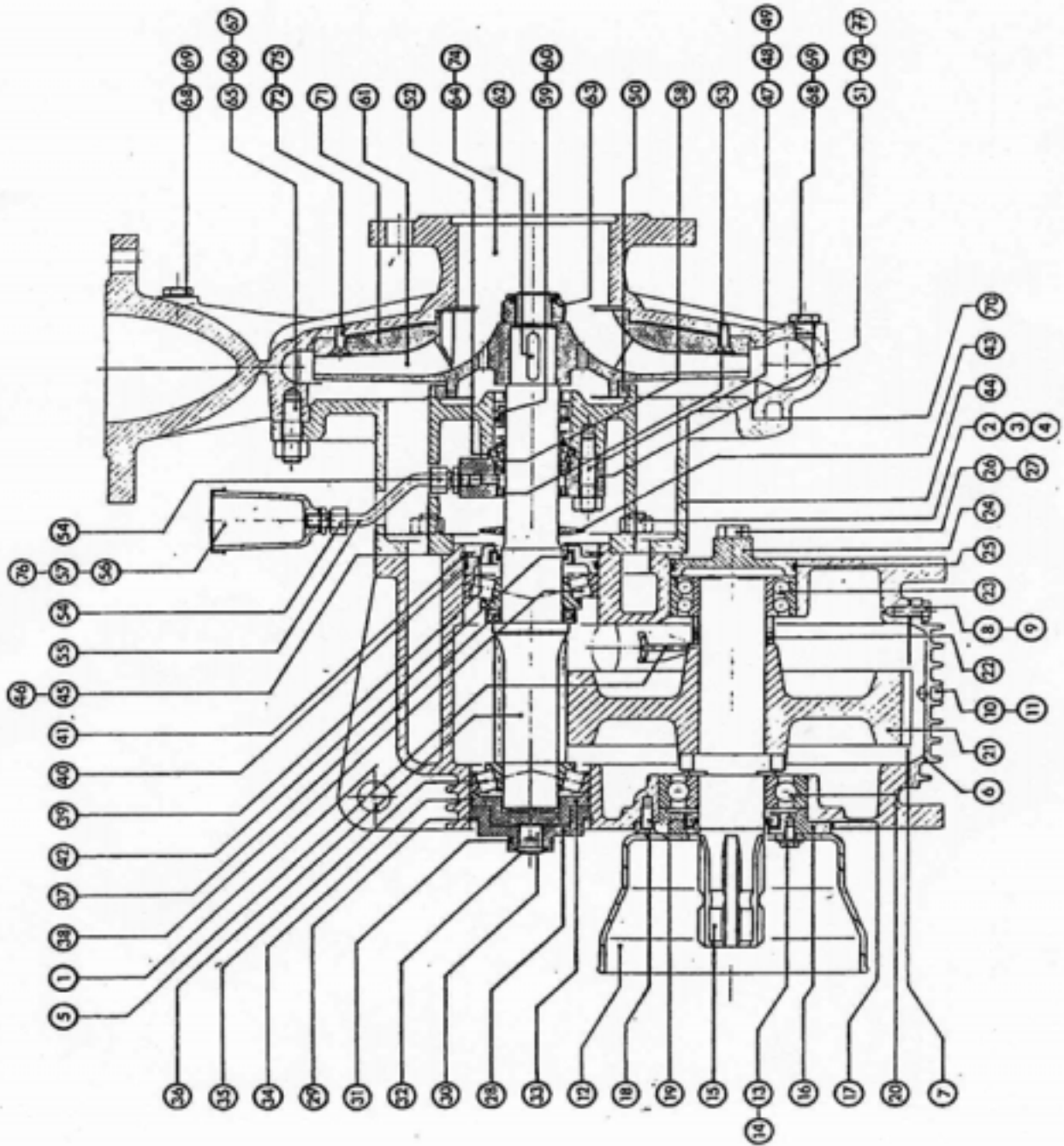
FAX: 270-726-9528

www.tuckaseeirrigation.com

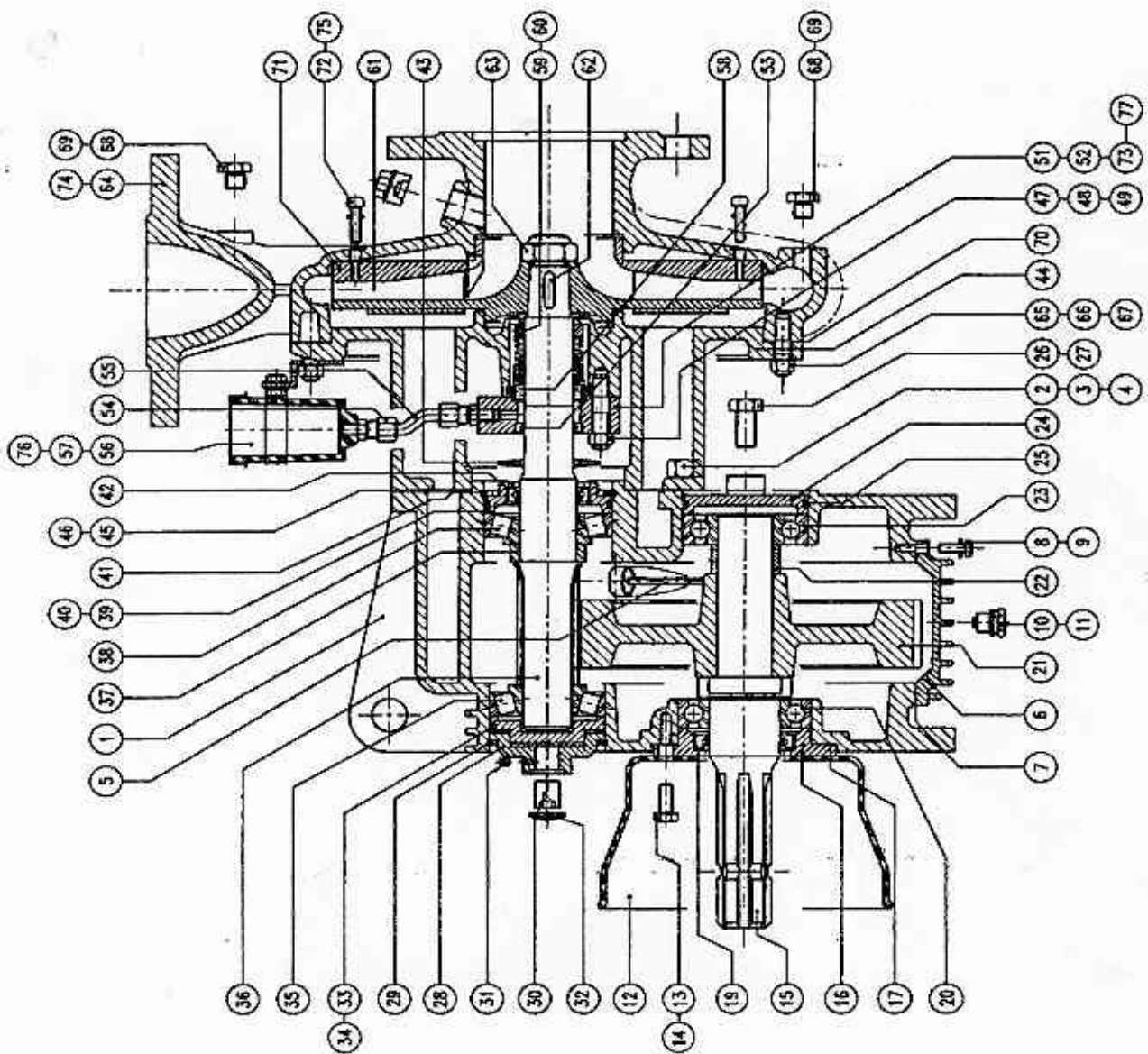




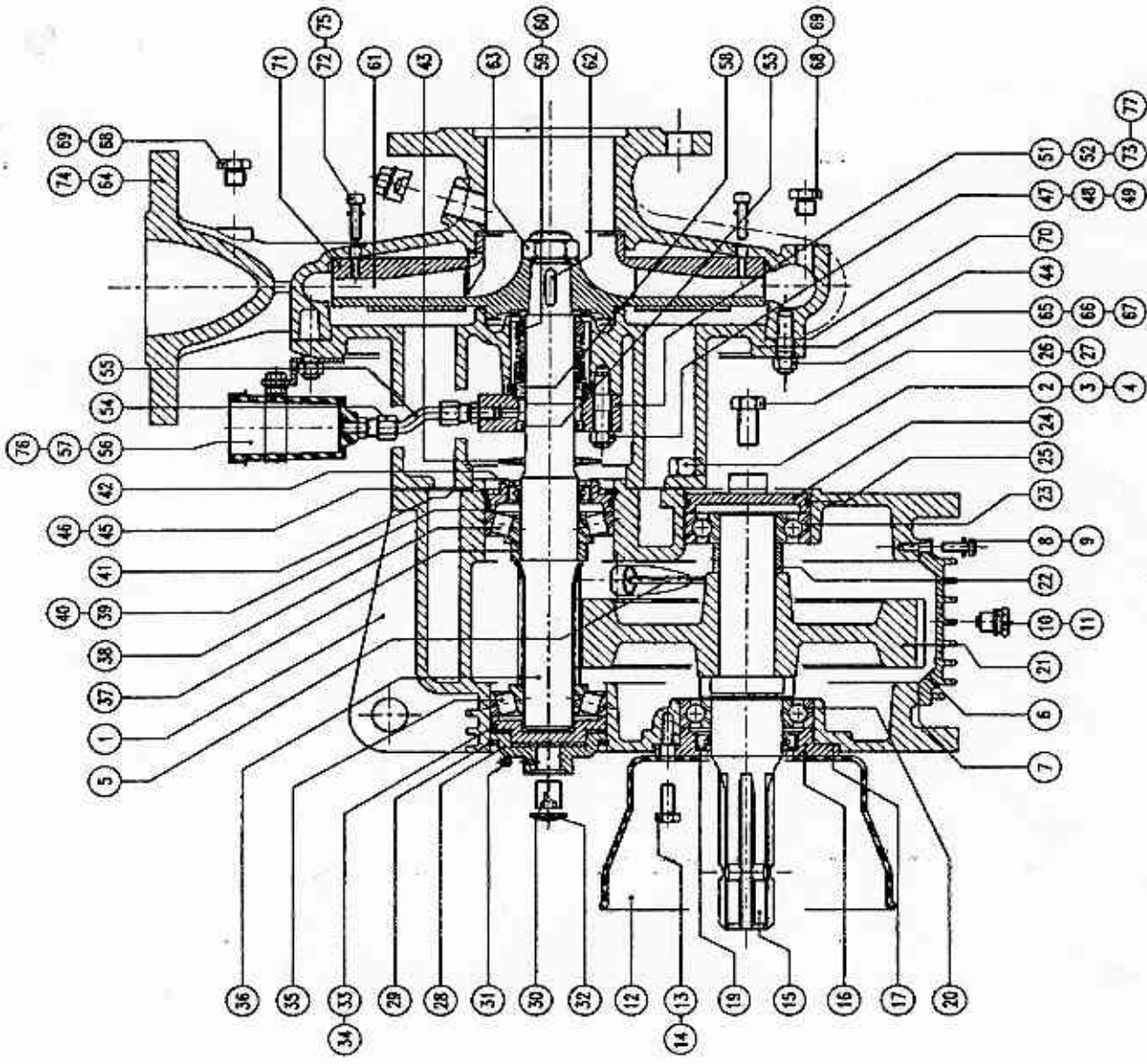
ROVATTI PUMP		SLURRY PUMP SERIES "TL"				N° 86
POS.	DESCRIPTION	MODEL# TL4-100GA		TUCKASEE #		DIMENSIONS
		DESIGNATION	QTY	DESIGNATION		
1	Gear Box	8694	1			
2	Stud bolt	VP16	6			
3	Nut	DEA12	6			
4	Washer					
5	Breather plug w/ dipstick	4371	1			
6	Cover	5296	1			
7	Gasket	5310	1			
8	Screw	VTE2	8			
9	Washer	RB8	8			
10	Magnetic Plug	4470	1			
11	Washer					
12	Universal Joint guard	4477	1			
13	Screw	VTE11	3			
14	Washer	RP1	3			
15	PTO Shaft	9826	1			
16	Cover	5298	1			
17	Gasket	5301	1			
18	Screw	VTSP1	3			
19	Retaining Ring	AT10	1			
20	Bearing	CU30	1			
21	Transmission Gear Z=83 R=5,93	5305	1			
21	Transmission Gear Z=82 R=5,47	5307	1			
21	Transmission Gear Z=81 R=5,06	5367	1			
21	Transmission Gear Z=78 R=4,10	5369	1			
21	Transmission Gear Z=75 R=3,41	5308	1			
21	Transmission Gear					
21	Transmission Gear					
22	Spacer	5300	1			
23	Bearing	CU15	1			
24	Cover	5297	1			
25	O-Ring	OR5	1			
26	Screw	VTE27	2			
27	Washer	RE12	2			
28	Cover	8697	1			
29	Inner Spring Washer	AFI19	1			
30	Dowel Pin	VCE17	1			
31	Dowel Pin	VCE18	1			
32	Plug	NO87	1			
33	Collar / Washer ?	8696	1			
34	O-Ring	OR40	1			
35	Bearing	CU69	1			
36	Shaft w/ pinion Z=14 R=5,93	5314	1			
36	Shaft w/ pinion Z=115 R=5,47	5315	1			
36	Shaft w/ pinion Z=16 R=5,06	5366	1			
36	Shaft w/ pinion Z=19 R=4,10	6409	1			
36	Shaft w/ pinion Z=22 R=3,41	5316	1			
36	Shaft w/ pinion					
36	Shaft w/ pinion					



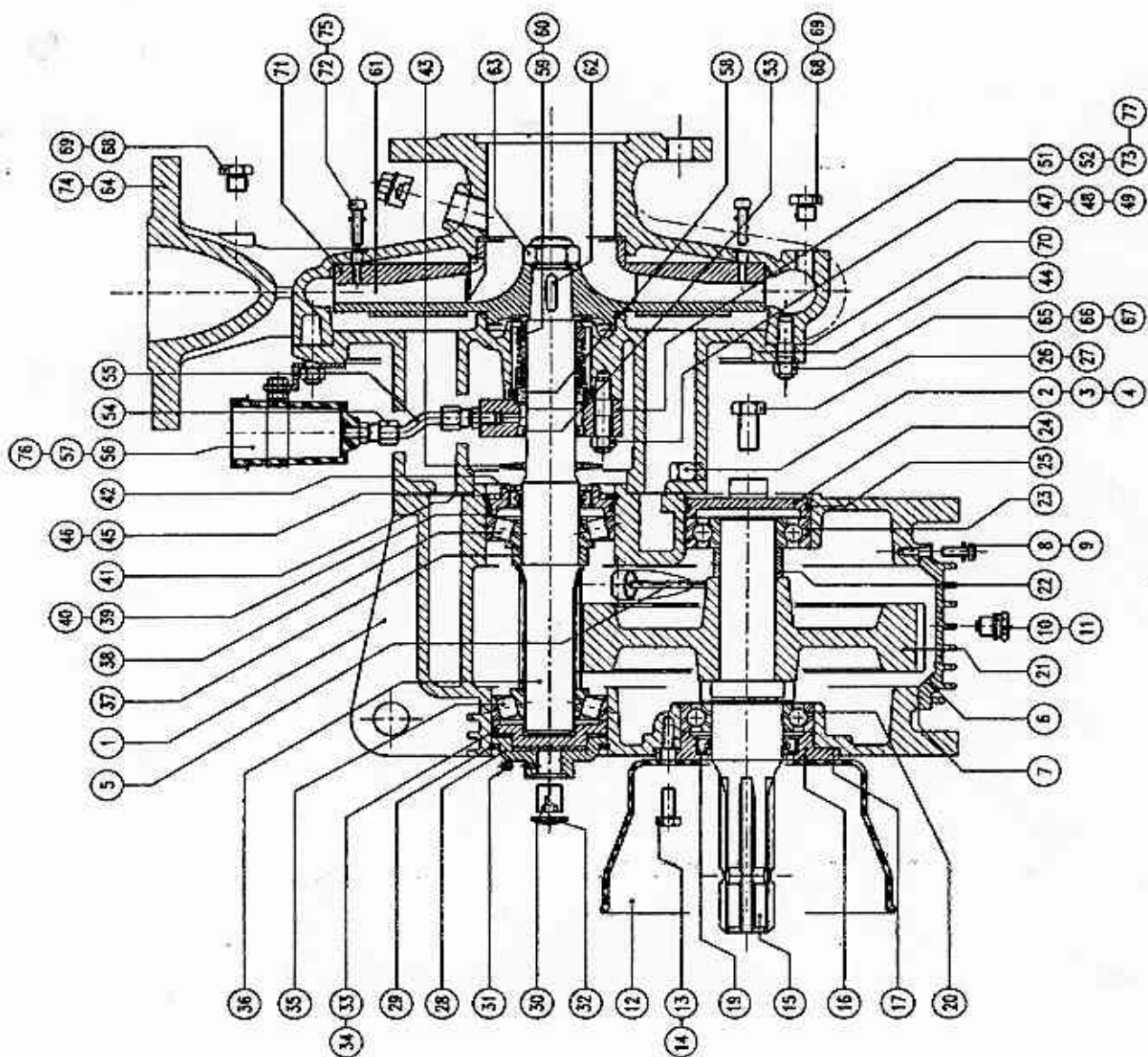
ROVATTI PUMP		SLURRY PUMP SERIES "TL"			N° 86	
POS.	DESCRIPTION	MODEL# TL4-100GA		TUCKASEE #		DIMENSIONS
		DESIGNATION	QTY	DESIGNATION		
37	Spacer	8695	1			
38	Bearing	CU72	1			
39	Cover	5299	1			
40	O-Ring	OR6	1			
41	Inner Spring Washer	AF19	1			
42	Retaining Ring	AT8	1			
43	Water Sealing Ring	AP4	1			
44	Pump Support	8698	1			
45	Gasket	5323	1			
46	Gasket	5465	1			
47	Stud bolt	VP7	2			
48	Nut	DEA10	2			
49	Washer	RE10	2			
50	Wear Ring	3686	1			
51	Cover	8699	1			
52	O-Ring	OR41	1			
53	Retaining Ring	AT18	1			
54	Pipe Fitting					
55	Oil Pipe					
56	Oil Feeder	12550	1			
57	Protection					
58	Mechanical Seal	TM35V	1			
59	Ring	8700				
60	Dowel Pin	VCE18	1			
61	Impeller	12196	1			
62	Key	LI12	1			
63	Self Locking Nut	DA24B	1			
64	Pump Body	12273	1			
65	Stud bolt	VP16	10			
66	Nut	DEA12	10			
67	Washer					
68	Plug	NO19	2			
69	Washer					
70	Gasket	4023	1÷3			
71	Wear Plate	12285	1			
72	Screw	VTCEI43	4			
73	Plug	NO140	1			
74	Plug	NO14	1			
75	Washer	NO174	4			
76	Plug w/ Oil Feeder					
77	Dowel Pin	VCE7	1			



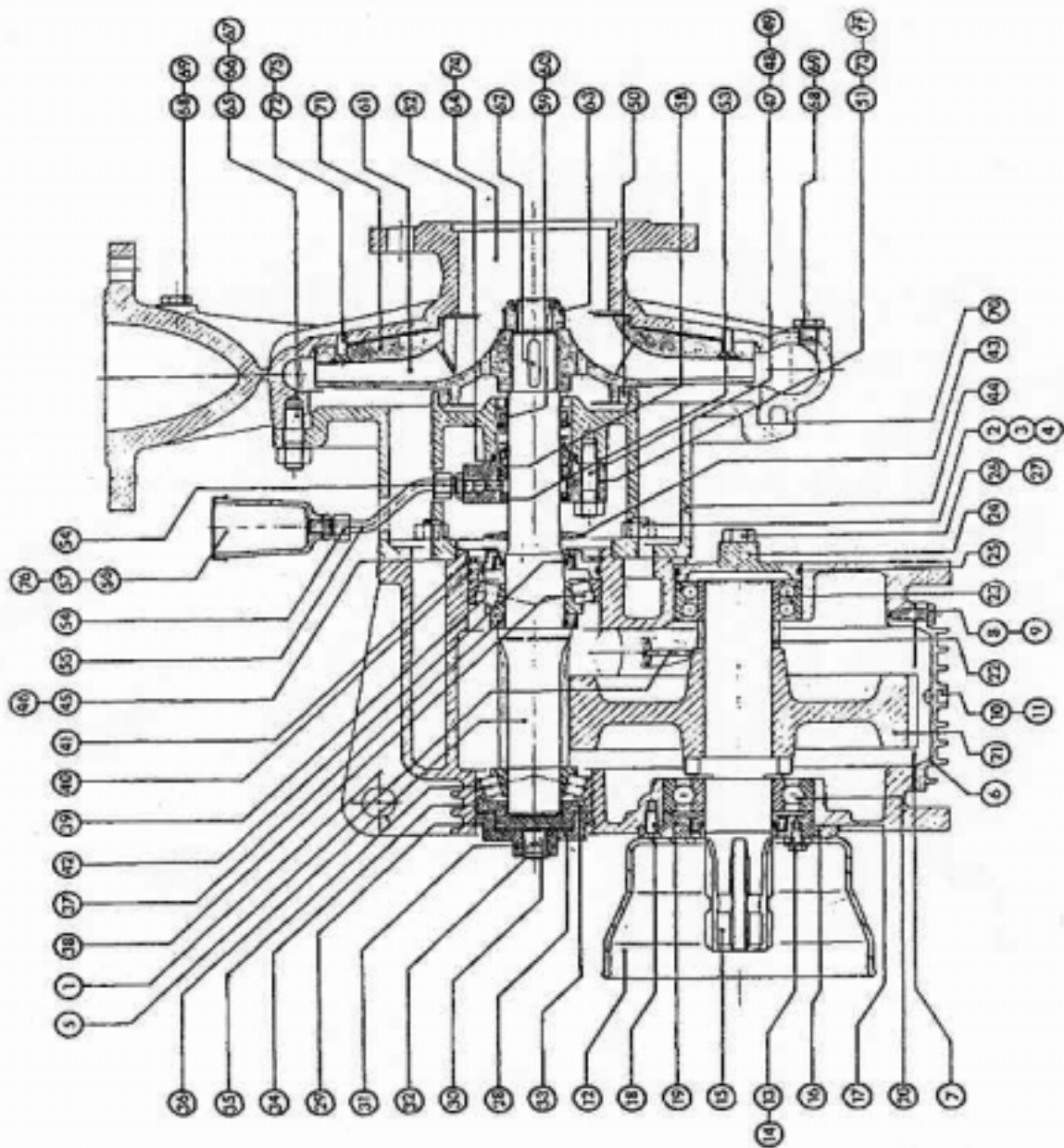
ROVATTI PUMP		SLURRY PUMP SERIES "TL"			N° 87	
POS.	DESCRIPTION	MODEL# TL3-80GA		TUCKASEE #		DIMENSIONS
		DESIGNATION	QTY	DESIGNATION		
1	Gear Box	8678	1			
2	Stud bolt	VP16	6			12MM X 46MM
3	Nut	DEA12	6			12MM
4	Washer					
5	Breather plug w/ dipstick					
6	Cover	5154	1			
7	Gasket	5147	1			
8	Screw	VTE1	8			6MM X 15MM
9	Washer	RB6	8			
10	Magnetic Plug	4470	1			
11	Washer					
12	Cable Guard	4477	1			
13	Screw	VTE2	3			8MM X 20MM
14	Washer	RB8	3			
15	PTO Shaft	6701	1			
16	Cover	5127	1			
17	Gasket	5148	1			
18	Screw					
19	Retaining Ring	AT10	1			
20	Bearing	CU4b	1			6209
21	Transmission Gear Z=83 R=6,92	5435				83t R 6.92
21	Transmission Gear Z=83 R=6,38	5140	1			83t R 6.38
21	Transmission Gear Z=82 R=5,85	5141	1			82t R5.85
21	Transmission Gear Z=81 R=5,4	5142	1			81t R5.40
21	Transmission Gear Z=80 R=5	5143	1			80t R5.00
21	Transmission Gear Z=75 R=3,57	5215	1			75t R3.57
21	Transmission Gear					
22	Spacer	5132	1			
23	Bearing	CU9	1			6307
24	Cover	5129	1			
25	O-Ring	OR4	1			
26	Screw	VTE27	2			
27	Washer	RE12	2			
28	Cover	8677	1			
29	Inner Spring Washer	AF118	1			
30	Dowel Pin	VCE17	1			
31	Dowel Pin	VCE18	1			
32	Plug	NO87	1			
33	Collar / Washer ?	8675	1			
34	O-Ring	OR39	1			
35	Bearing	CU70	1			



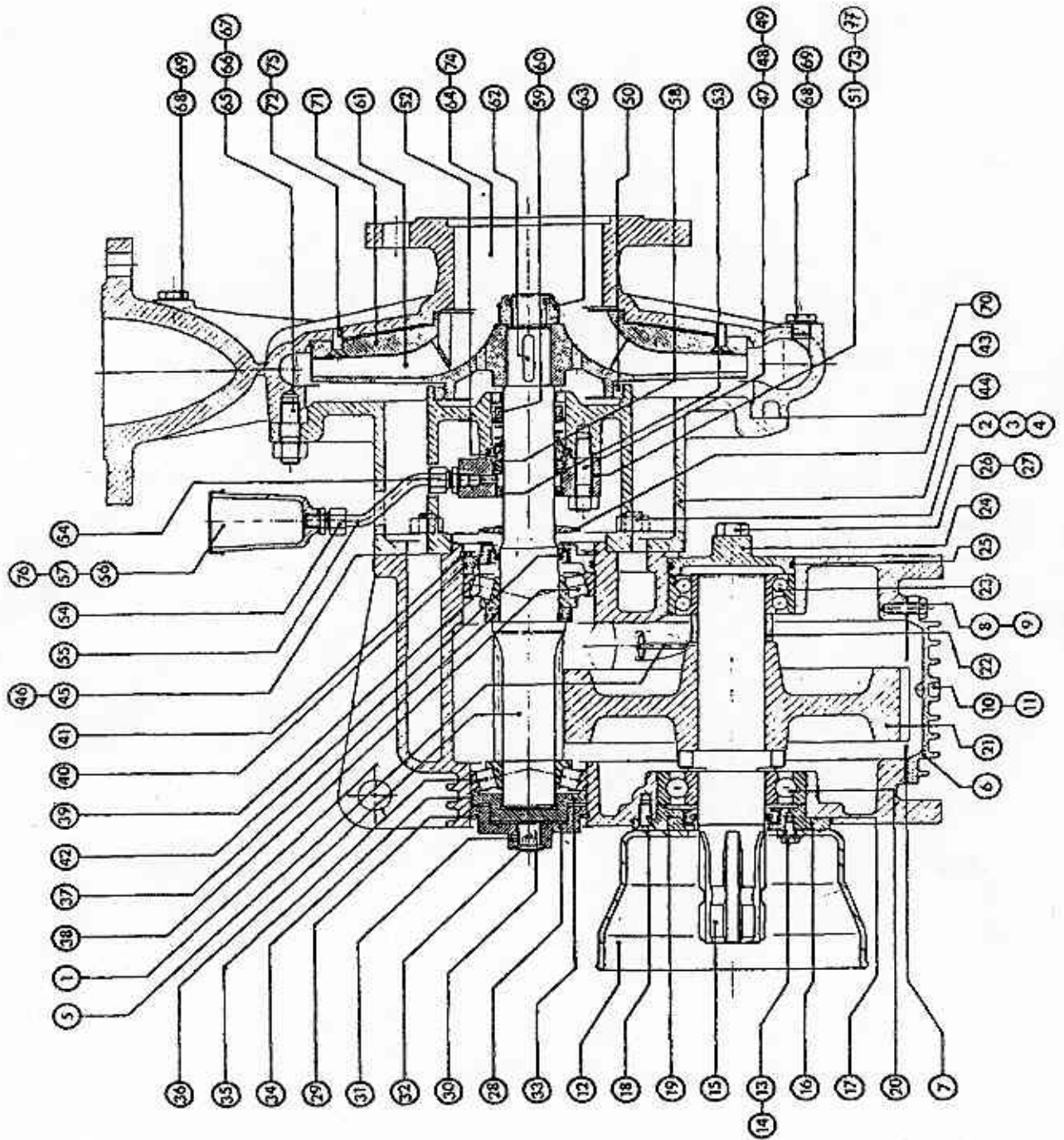
ROVATTI PUMP		SLURRY PUMP SERIES "TL"			N° 87	
POS.	DESCRIPTION	MODEL# TL3-80GA		TUCKASEE #		DIMENSIONS
		DESIGNATION	QTY	DESIGNATION		
36	Shaft w/Pinion Z=12 R=6,92	5434	1			12t R6.92
36	Shaft w/Pinion Z=13 R=6,38	5136	1			13t R6.38
36	Shaft w/Pinion Z=14 R=5,85	5137	1			14t R5.85
36	Shaft w/Pinion Z=15 R=5,4	5138	1			15t R5.40
36	Shaft w/Pinion Z=16 R=5	5139	1			16t R5.00
36	Shaft w/Pinion Z=17 R=3,75	5214	1			17t R3.75
36	Shaft w/Pinion					
37	Spacer	8674	1			
38	Bearing	CU69	1			
39	Cover	5128	1			
40	O-Ring	OR4	1			
41	Inner Spring Washer	AF18	1			
42	Retaining Ring	AT61	1			
43	Water Sealing Ring	AP3	1			
44	Pump Support	8678	1			
45	Gasket	5149	1			
46	Gasket	5464	1			
47	Stud Bolt	VP5	2			10MM X 50MM
48	Nut	DEA10	2			10MM
49	Washer					
50	Wear Ring					
51	Cover	8672	1			
52	O-Ring	OR38	1			
53	Retaining Ring	AT31	1			
54	Pipe Fitting					
55	Oil Pipe					
56	Oil Feeder	12550	1			
57	Protection ?					
58	Mechanical Seal	TM30V	1			
59	Ring	8673	1			
60	Dowel Pin	VCE18	1			
61	Impeller	9404	1			
62	Key	LI20	1			
63	Self Locking Nut	DA20b	1			
64	Pump Body	12269	1			
65	Stud bolt	VP3	8			10MM X 38MM
66	Nut	DEA10	8			10MM
67	Washer					
68	Plug	NO19	2			
69	Washer					
70	Gasket	3100	1÷3			
71	Wear Plate	12284	1			



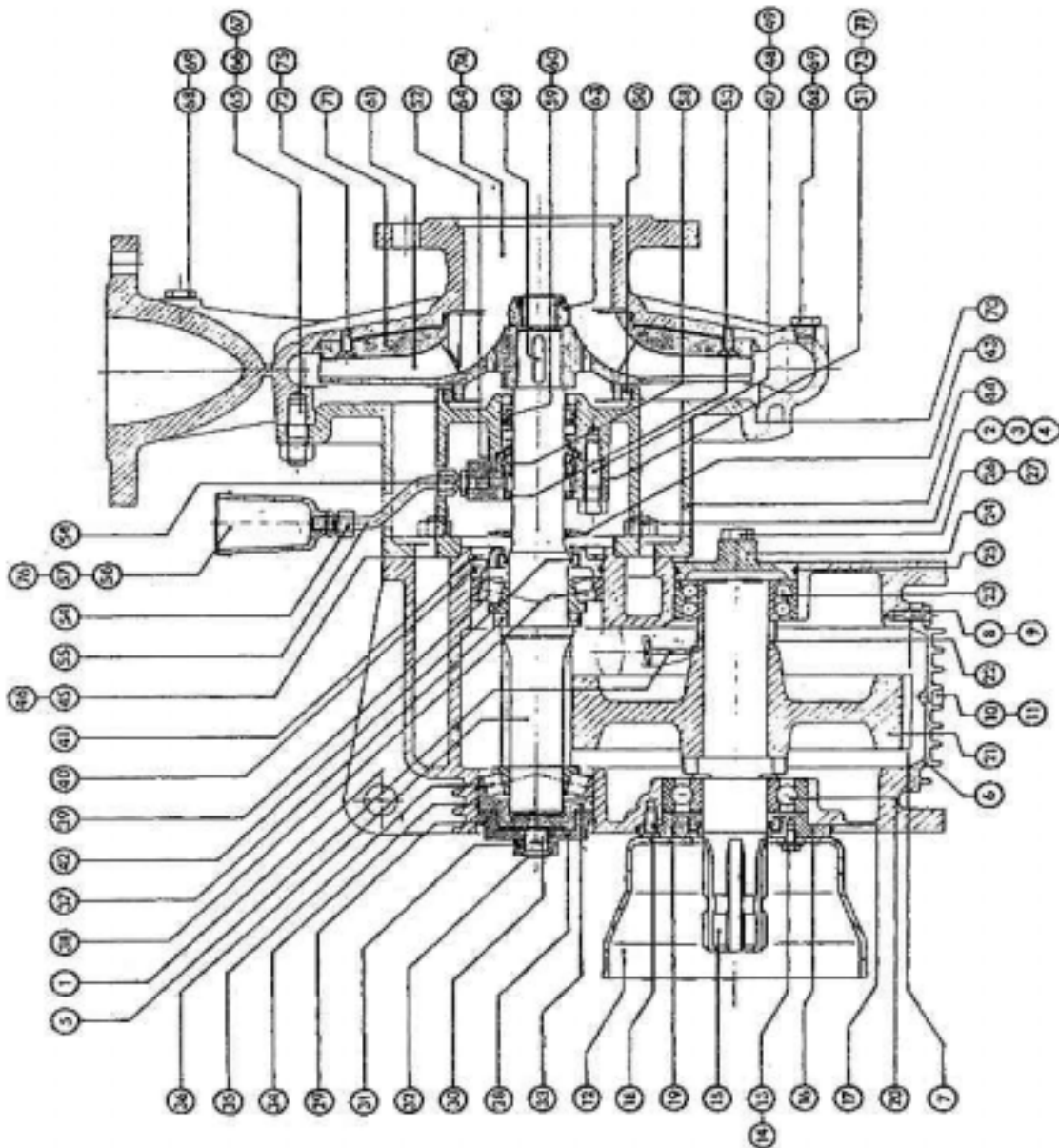
ROVATTI PUMP		SLURRY PUMP SERIES "TL"			N° 87	
POS.	DESCRIPTION	MODEL# TL3-80GA		TUCKASEE #		DIMENSIONS
		DESIGNATION	QTY	DESIGNATION		
72	Screw	VTCEI43	4			
73	Plug	NO140	1			
74	Plug	NO14	1			
75	Washer	NO174	4			
76	Plug w/ Oil Feeder					
77	Dowel Pin	VCE7	1			



ROVATTI PUMP		SLURRY PUMP SERIES "TL"			N° 88
POS.	DESCRIPTION	MODEL# TL3-110GA		TUCKASEE #	DIMENSIONS
		DESIGNATION	QTY	DESIGNATION	
1	Gear box	8676	1		
2	Stud bolt	VP16	6		12MM X 46MM
3	Nut	DEA12	6		12MM
4	Washer				
5	Breather plug w/ dip stick	4371	1		
6	Cover	5154	1		
7	Gasket	5147	1		
8	Screw	VTE1	8		6MM X 15MM
9	Washer	RB6	8		
10	Magnetick Plug	4470	1		
11	Washer				
12	Universal Joint Guard	4477	1		
13	Screw	VTE2	3		8MM X 20MM
14	Washer	RB8	3		
15	PTO Shaft	6701	1		
16	Cover	5127	1		
17	Gasket	5148	1		
18	Screw				
19	Retaining Ring	AT10	1		
20	Bearing	CU4b	1		6209
21	Transmission Gear Z=83 R=6,92	5435	1		83t R 6.92
21	Transmission Gear Z=83 R=6,38	5140	1		83t R 6.38
21	Transmission Gear Z=82 R=5,85	5141	1		82t R5.85
21	Transmission Gear Z=81 R=5,4	5142	1		81t R5.40
21	Transmission Gear Z=80 R=5	5143	1		80t R5.00
21	Transmission Gear Z=75 R=3,57	5215	1		75t R3.57
21	Transmission Gear				
22	Spacer	5132	1		
23	Bearing	CU9	1		6307
24	Cover	5129	1		
25	O-Ring	OR4	1		
26	Screw	VTE27	2		
27	Washer	RE12	2		
28	Cover	8677	1		
29	Inner Spring Washer	AFI18	1		
30	Dowel Pin	VCE17	1		
31	Dowel Pin	VCE18	1		
32	Plug	NO87	1		
33	Collar / Washer ?	8675	1		
34	O-Ring	OR39	1		
35	Bearing	CU70	1		



ROVATTI PUMP		SLURRY PUMP SERIES "TL"			N° 88	
POS.	DESCRIPTION	MODEL# TL3-110GA		TUCKASEE #		DIMENSIONS
		DESIGNATION	QTY	DESIGNATION		
36	Shaft w/ Pinion Z=12 R=6,92	5434	1			12t R6.92
36	Shaft w/ Pinion Z=13 R=6,38	5136	1			13t R6.38
36	Shaft w/ Pinion Z=14 R=5,85	5137	1			14t R5.85
36	Shaft w/ Pinion Z=15 R=5,4	5138	1			15t R5.40
36	Shaft w/ Pinion Z=16 R=5	5139	1			16t R5.00
36	Shaft w/ Pinion Z=17 R=3,75	5214	1			17t R3.75
36	Shaft w/ Pinion					
37	Spacer	8674	1			
38	Bearing	CU69	1			
39	Cover	5128	1			
40	O-Ring	OR4	1			
41	Inner Spring Washer	AFI18	1			
42	Retaining Ring	AT6	1			
43	Water Sealing Ring	AP3	1			
44	Pump Support	8739	1			
45	Gasket	5149	1			
46	Gasket	5464	1			
47	Stud bolt	VP5	2			10MM X 50MM
48	Nut	DEA10	2			10MM
49	Washer					
50	Wear Ring	8740	1			
51	Cover	8672	1			
52	O-Ring	OR38	1			
53	Retaining Ring	AT31	1			
54	Washer					
55	Oil Pipe					
56	Oil Feeder	12550	1			
57	Protection ?					
58	Mechanical Seal	TM30V	1			
59	Ring	8673	1			
60	Dowel Pin	VCE18	1			
61	Impeller	9553	1			
62	Key	LI20	1			
63	Selv Locking Nut	DA20b	1			
64	Pump Body	12272	1			
65	Stud Bolt	VP3	8			10MM X 38MM
66	Nut	DEA10	8			10MM
67	Washer					
68	Plug	NO19	2			
69	Washer					
70	Gasket	2374	1÷3			
71	Wear Plate	12287	1			
72	Screw	VTCEI43	4			
73	Plug	NO140	1			
74	Plug	NO14	1			
75	Washer	NO174	4			
76	Plug w/ Oil Feeder					
77	Dowel Pin	VCE7	1			

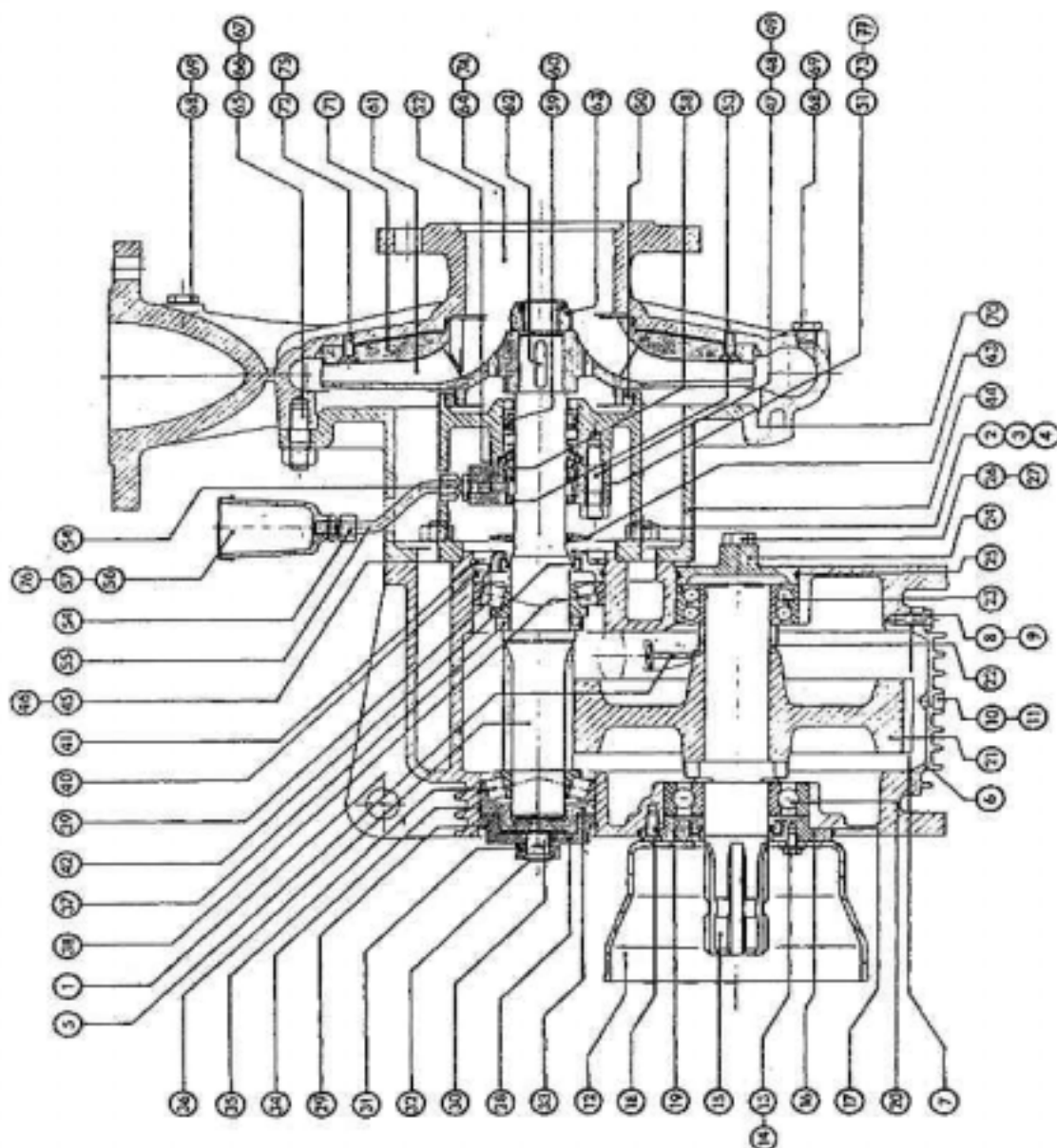


ROVATTI PUMP		SLURRY PUMP SERIES "TL"			N° 89	
POS.	DESCRIPTION	MODEL# TL2-85GA		TUCKASEE #		DIMENSIONS
		DESIGNATION	QTY	DESIGNATION		
1	Gear Box	8662	1			
2	Stud Bolt	VP16	4			12MM X 46MM
3	Nut	DEA12	4			12MM
4	Washer					
5	Breather w/ Dip Stick	4371	1			
6	Cover	4111	1			
7	Gasket	4723	1			
8	Screw	VTE1	8			6MM X 15MM
9	Washer	RB6	8			
10	Magnetic Plug	4470	1			
11	Washer					
12	Universal Joint Guard	4477	1			
13	Screw	VTE2	3			8MM X 20MM
14	Washer					
15	PTO Shaft	7407	1			
16	Cover	4379	1			
17	Gasket	4378	1			
18	Screw					
19	Retaining Ring	AT7	1			
20	Bearing	CU4	1			6207
21	Transmission Gear Z=91, R=7,58	5437	1			91t R7.58
21	Transmission Gear Z=91 R=7	4117	1			91t R7.00
21	Transmission Gear Z=90 R=6,43	4715	1			90t R6.43
21	Transmission Gear Z=89 R=5,93	4714	1			89t R5.93
21	Transmission Gear Z=88 R=5,5	4713	1			88t R5.50
21	Transmission Gear Z=87 R=5,1	4712	1			87t R5.10
21	Transmission Gear Z=85 R=4,47	4711				85t R4.47
22	Spacer	4116	1			
23	Bearing	CU16	1			3206/C3
24	Cover	4703	1			
25	O-Ring	OR2	1			
26	Screw	VTE27	2			
27	Washer	RE12	2			
28	Cover	8669	1			
29	Inner Spring Washer	AFI17				
30	Dowel Pin	VCE17	1			
31	Dowel Pin	VCE18T	1			
32	Plug	NO87	1			
33	Collar / Washer ?	8666	1			
34	O-Ring	OR38	1			
35	Bearing	CU71	1			

rovatti pompe

SLURRY PUMP
SERIES "TL"
TL2-85GA

TAB. N° 89

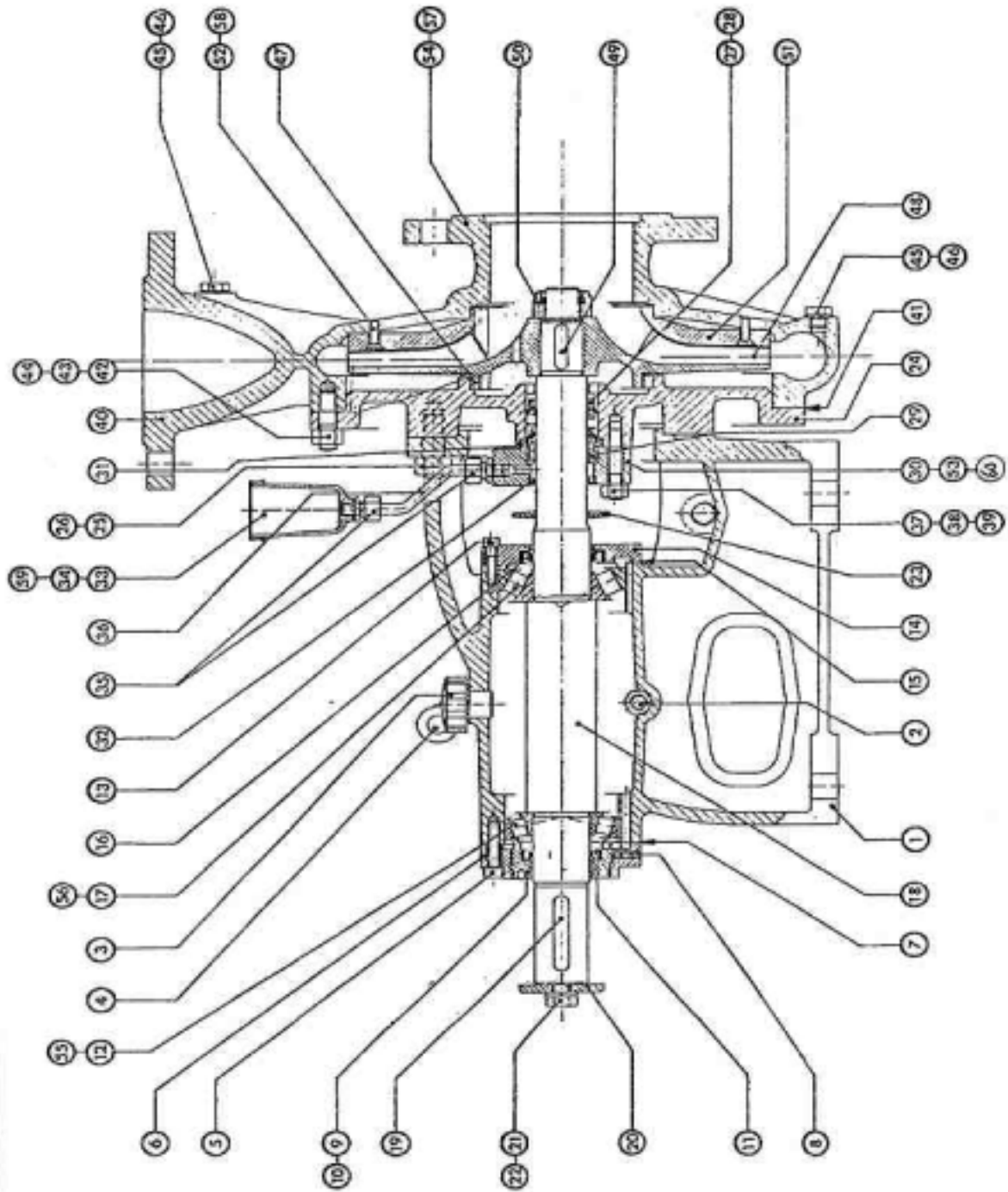


ROVATTI PUMP		SLURRY PUMP SERIES "TL"				N° 89
POS.	DESCRIPTION	MODEL# TL2- 85GA		TUCKASEE #		DIMENSIONS
		DESIGNATION	QTY	DESIGNATION		
36	Shaft w/ Pinion Z=12 R=7,58	5436	1			12t R7.58
36	Shaft w/ Pinion Z=13 R=7	4118	1			13t R7.00
36	Shaft w/ Pinion Z=14 R=6,43	4722	1			14t R6.43
36	Shaft w/ Pinion Z=15 R=5,93	4721	1			15t R5.93
36	Shaft w/ Pinion Z=16 R=5,5	4720	1			16t R5.50
36	Shaft w/ Pinion Z=17 R=5,1	4719	1			17t R5.10
36	Shaft w/ Pinion Z=19 R=4,47	4718	1			19t R4.47
37	Spacer	8667	1			
38	Bearing	CU70	1			
39	Cover	4113	1			
40	O-Ring	OR38	1			
41	Inner Spring Washer	AF17	1			
42	Retaining Ring	AT2	1			
43	Water Sealing Ring	AP2	1			
44	Pump Support	8663	1			
45	Gasket	4168	1			
46	Gasket	5734	1			
47	Stud Bolt	VP2	2			8MM X 46MM
48	Nut	DEA8	2			8MM
49	Washer					
50	Wear Ring					
51	Cover	8670	1			
52	O-Ring	OR37	1			
53	Retaining Ring	AT16	1			
54	Washer					
55	Oil Pipe					
56	Oil Feeder	12550	1			
57	Protection					
58	Mechanical Seal	TM25V	1			
59	Ring	8668	1			
60	Dowel Pin	VCE18T	1			
61	Impeller	9928	1			
62	Key	LI20	1			
63	Self-locking Nut	DA16B	1			
64	Pump Body	12271	1			
65	Stud Bolt	VP3	8			10MM X 38MM
66	Nut	DEA10	8			10MM
67	Washer					
68	Plug	NO19	2			
69	Washer					
70	Gasket	3855	1÷3			
71	Wear Plate	12283	1			
72	Screw	VTCEI43	4			
73	Plug	NO140	1			
74	Plug	NO14	1			
75	Washer	NO174	4			
76	Plug w/ Oil Feeder					
77	Dowel Pin	VCE7	1			

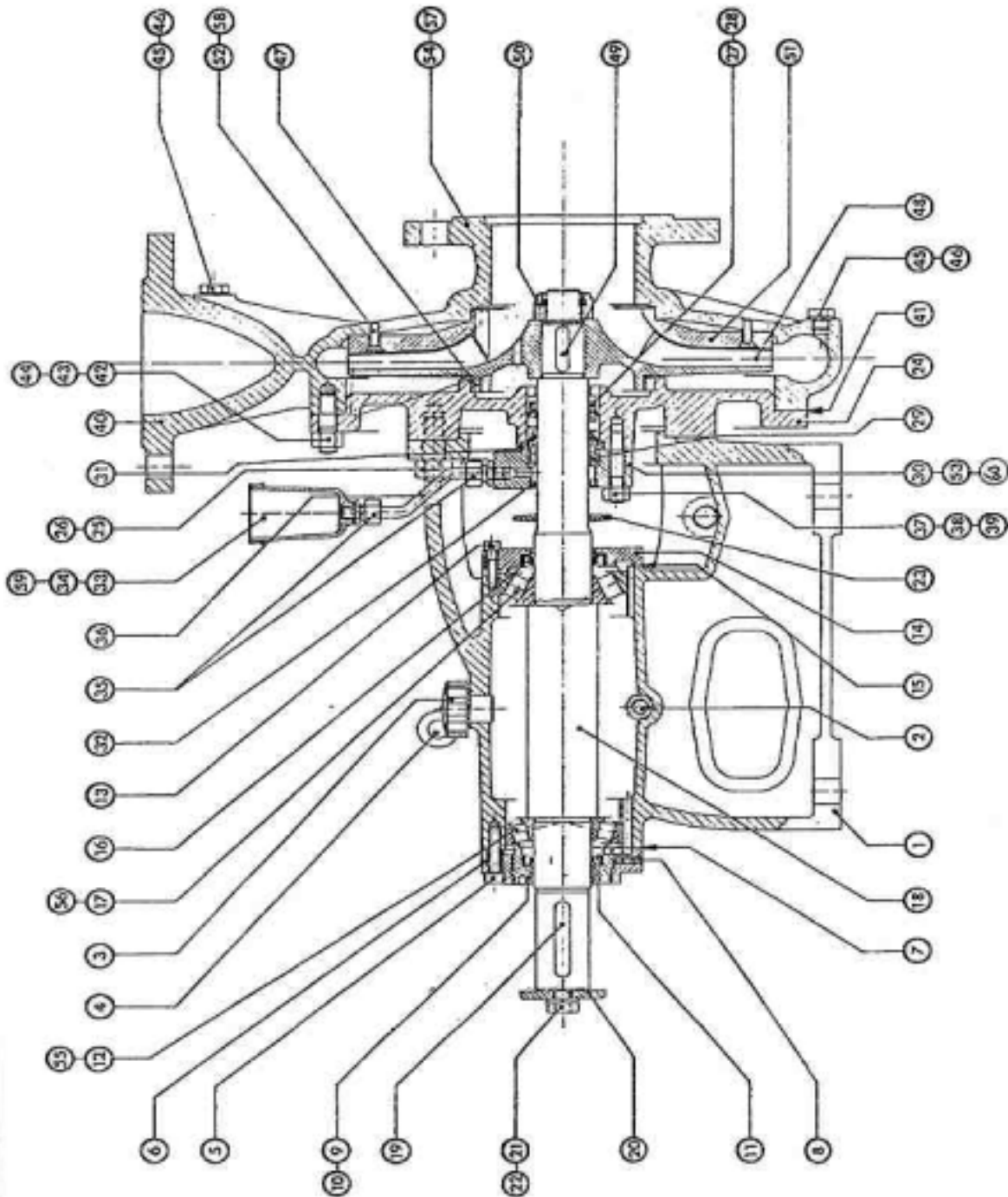
rovatti pompe

SLURRY PUMP
SERIES "SL"
SL3-80GA

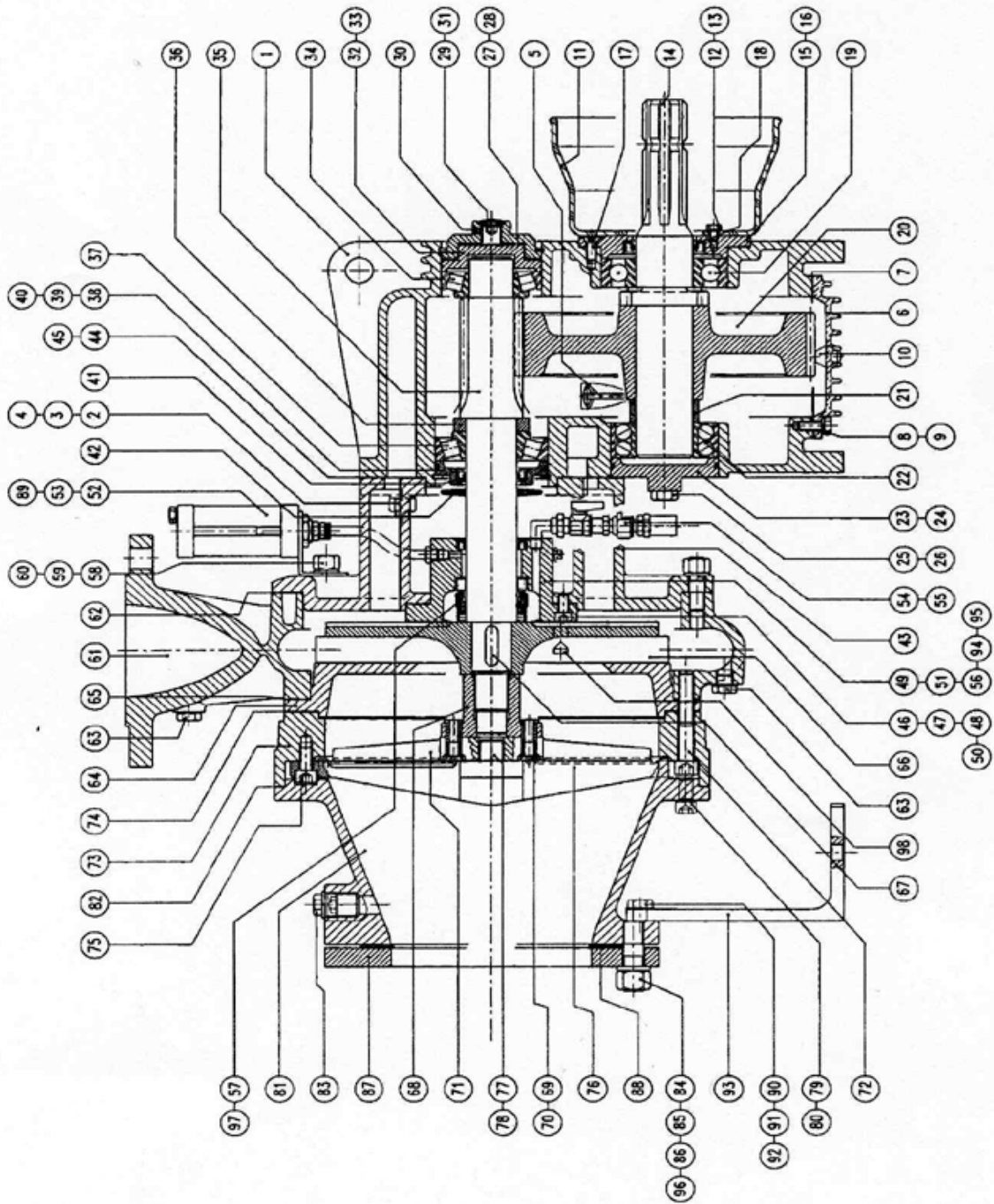
TAB. N° 90



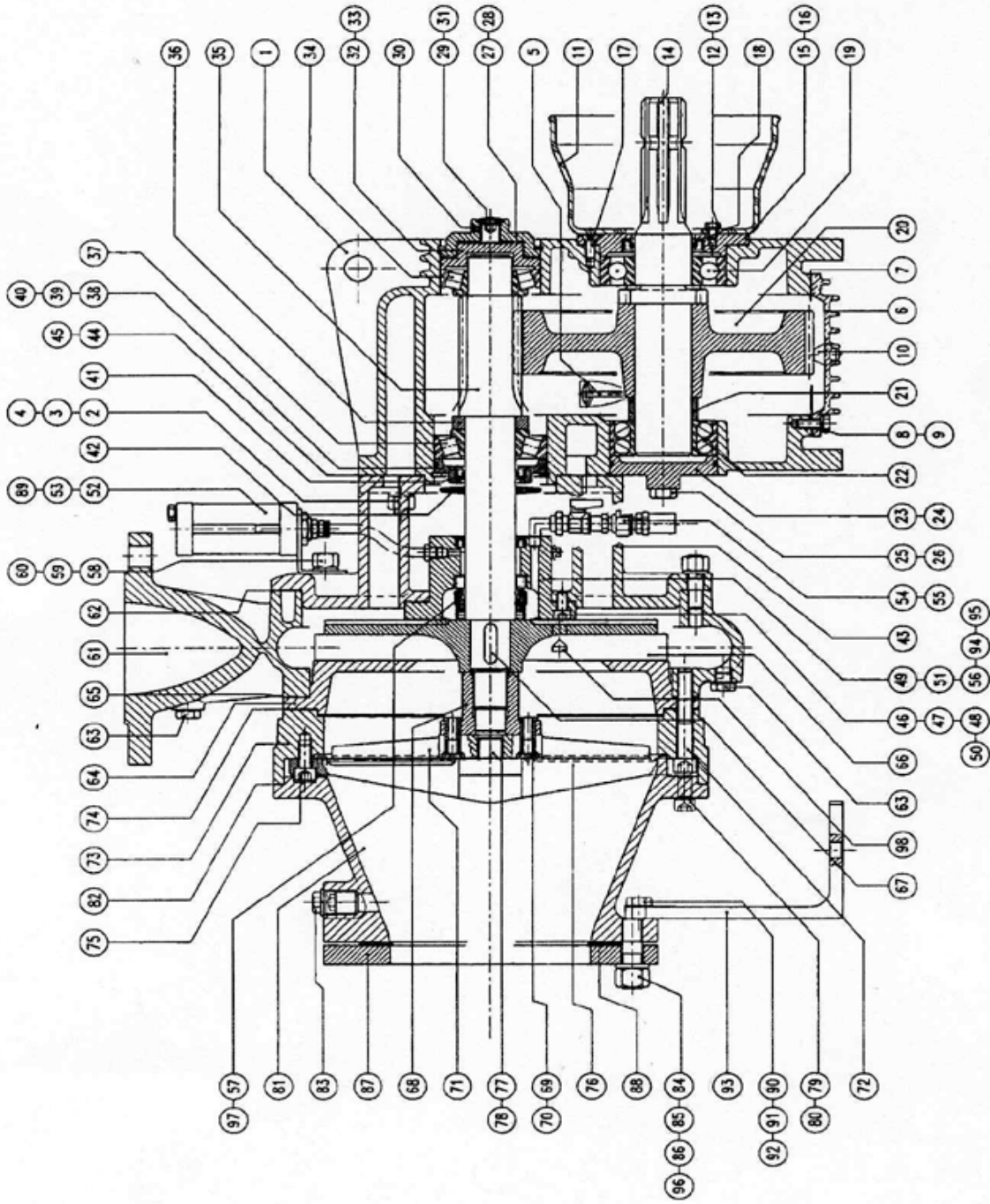
ROVATTI PUMP		SLURRY PUMP SERIES "SL"				N° 90
POS.	DESCRIPTION	MODEL# SL3-80GA		MODEL#		DIMENSIONS
		DESIGNATION	QTY	DESIGNATION	QTY	
1	Bearing Support	9435	1			
2	Magnetic Plug	4470	1			
3	Breather Plug	3370	1			
4	Oil Level Dip-stick	3405	1			
5	Screw	VTCEI7	4			
6	Cover	9437	1			
7	Gasket	3355	1			
8	Dowel Pin	VCE18	1			
9	Ring Nut	9467	1			
10	O-Ring	OR41	1			
11	Retaining Ring	AT8	1			
12	Bearing	CU84	1			
13	Screw	VTCEI34	6			
14	Cover	9433	1			
15	Gasket	9438	1			
16	Retaining Ring	AT8a	1			
17	Bearing	CU72	1			
18	Shaft	9454	1			
19	Key	LI15	1			
20	Washer	4781	1			
21	Screw	VTE7	1			
22	Washer	RE12	1			
23	Water Sealing Ring	AP4	1			
24	Pump Support	9453	1			
25	Screw	VTE41	4			
26	Washer	RE14	4			
27	Ring	8700	1			
28	Dowel Pin	VCE18	1			
29	Mechanical Seal	TM35V	1			
30	Cover	8699	1			
31	O-Ring	OR41	1			
32	Retaining Ring	AT18	1			
33	Oil Feeder	12550	1			
34	Protection					
35	Pipe Fitting					
36	Oil Pipe					
37	Stud Bolt	VP7	2			
38	Nut	DEA10	2			
39	Washer	RE10	2			
40	Pump Body	12269	1			
41	Gasket	3100	1÷3			
42	Stud Bolt	VP3	8			



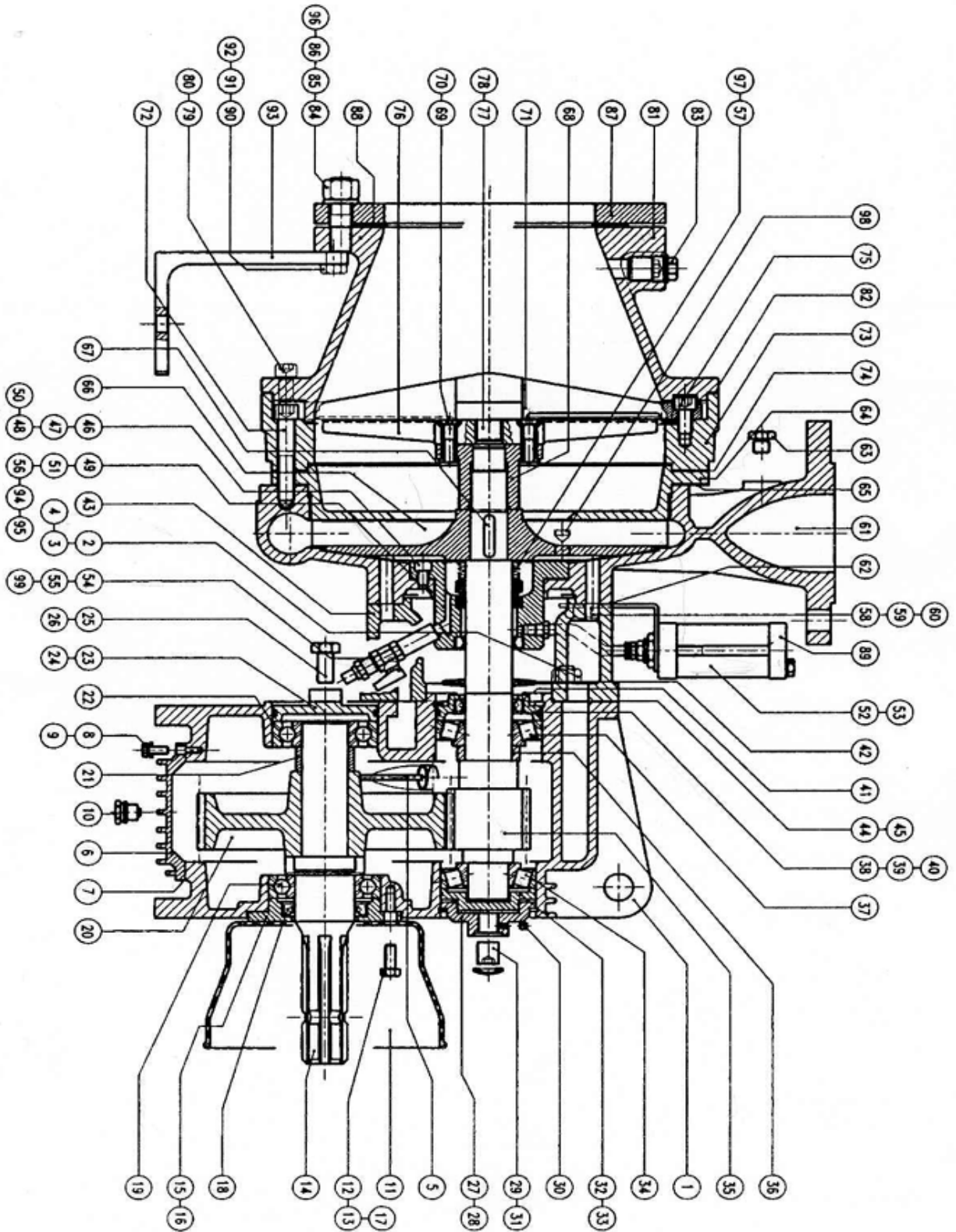
ROVATTI PUMP		SLURRY PUMP SERIES "SL"				N° 90
POS.	DESCRIPTION	MODEL# SL3-80GA		MODEL#		DIMENSIONS
		DESIGNATION	QTY	DESIGNATION	QTY	
43	Nut	DEA10	8			
44	Washer					
45	Plug	NO19	2			
46	Washer	RA4	2			
47	Wear Ring					
48	Impeller	9404	1			
49	Key	LI20	1			
50	Self-locking nut	DA20B	1			
51	Wear Plate	12284	1			
52	Screw	VTCEI43	4			
53	Plug	NO140	1			
54	Suction Cover					
55	Washer					
56	Washer					
57	Plut	NO14	1			
58	Washer	NO174	4			
59	Plug w/ Oil Feeder					
60	Dowel Pin	VCE7	1			



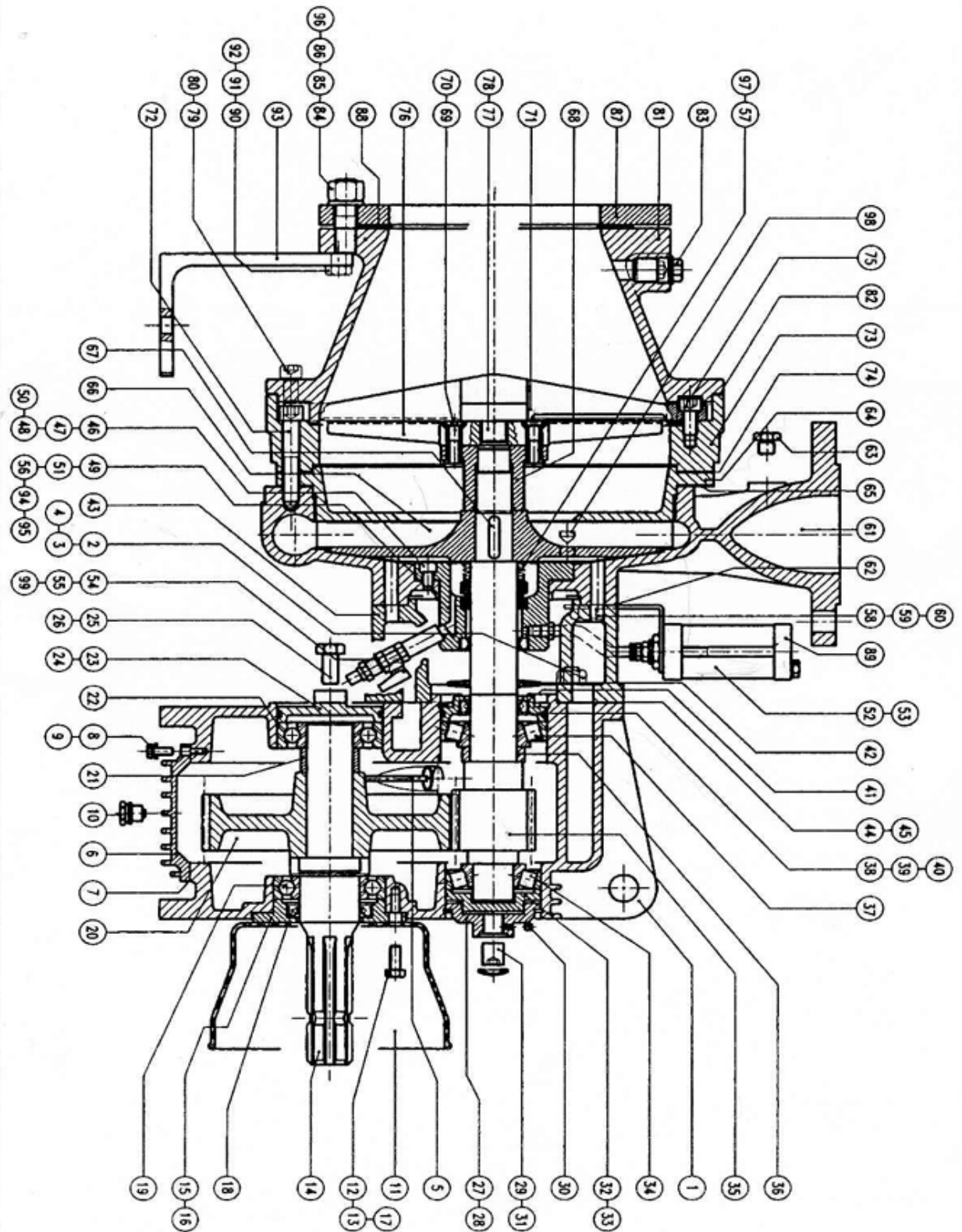
ROVATTI PUMP		SLURRY PUMP SERIES "TLK+T" TL4 K100GA+ T				N° 96
POS.	DESCRIPTION	MODEL# TL4- K100GA		MODEL# TL4 K100GA+T		DIMENSIONS
		DESIGNATION	QTY	DESIGNATION	QTY	
1	Gear Box	8694	1	8694	1	
2	Stud bolt	VP16	6	VP16	6	
3	Nut	DEA12	6	DEA12	6	
4	Washer					
5	Breather plug w/ dipstick	4371	1	4371	1	
6	Cover	5296	1	5296	1	
7	Gasket	5310	1	5310	1	
8	Screw	VTE2	8	VTE2	8	
9	Washer	RB8	8	RB8	8	
10	Magnetic Plug	4470	1	4470	1	
11	Universal Joint guard	4477	1	4477	1	
12	Screw	VTE11	3	VTE11	3	
13	Washer	RP1	3	RP1	3	
14	PTO Shaft	9826	1	9826	1	
15	Cover	5298	1	5298	1	
16	Gasket	5301	1	5301	1	
17	Screw	VTSP1	3	VTSP1	3	
18	Oil Seal	AT10	1	AT10	1	356010
19	Bearing	CU30	1	CU30	1	6309
20	Transmission Gear Z=82 R=5,47	5307	1	5307	1	1000rpm
20	Transmission Gear Z=75 R=3,41	5308	1	5308	1	540rpm
20	Transmission Gear					
20	Transmission Gear					
21	Spacer	5300	1	5300	1	
22	Bearing	CU15	1	CU15	1	
23	Cover	5297	1	5297	1	
24	O-Ring	OR5	1	OR5	1	
25	Screw	VTE27	2	VTE27	2	
26	Washer	RE12	2	RE12	2	
27	Cover	8697	1	8697	1	
28	Inner Spring Washer	AFI19	1	AFI19	1	
29	Dowel Pin	VCE17	1	VCE17	1	
30	Dowel Pin	VCE18	1	VCE18	1	
31	Plug	NO87	1	NO87	1	
32	Cover,adjustment	8696	1	8696	1	
33	O-Ring	OR40	1	OR40	1	
34	Bearing	CU69	1	CU69	1	HR31307J
35	Shaft w/ pinion Z=22 R=3,41	12582	1	12582	1	
35	Shaft w/ pinion Z=15 R=5,47	12580	1	12580	1	
36	Spacer	8695	1	8695	1	
37	Bearing	CU72	1	CU72	1	HR31308J
38	Cover	5299	1	5299	1	
39	O-Ring	OR6	1	OR6	1	
40	Inner Spring Washer	AFI9	1	AFI9	1	
41	Oil Seal	AT8	1	AT8	1	
42	Water Sealing Ring	AP5	1	AP5	1	
43	Pump Support	8698	1	8698	1	
44	Gasket	5323	1	5323	1	
45	Gasket	5465	1	5465	1	
46	Stud bolt	VTCE139	4	VTCE139	4	
47	Nut					
48	Washer					
49	Wear Ring	12578	1	12578	1	



ROVATTI PUMP		SLURRY PUMP				N° 96
POS.	DESCRIPTION	MODEL#		MODEL#		DIMENSIONS
		TL4-100GA		TL4 K100GA+T		
		DESIGNATION	QTY	DESIGNATION		
52	Retaining Ring	12550	1	12550	1	
53	Pipe Fitting					
54	Oil Pipe	NO193	1	NO193	1	
55	Oil Feeder	13053	1	13053	1	
56	Protection	NO140	1	NO140	1	
57	Mechanical Seal	TM40V	1	TM40V	1	
57	Mechanical Seal	TM40L	1	TM40L	1	
58	Ring	VP16	10	VP16	10	
59	Dowel Pin	DEA12	10	DEA12	10	
60	Impeller	RE12	10	RE12	10	
61	Key	12323	1	12323	1	
62	Self Locking Nut	4023	1	4023	1	
63	Pump Body	NO19	2	NO19	2	
64	Stud bolt	12456	1	12456	1	
65	Nut	12246	2	12246	2	
66	Washer	12295	1	12295	1	
67	Plug	LI38	1	LI38	1	
68	Washer	DA27B	1	12902	1	
69	Gasket			VTSP10	2	
70	Wear Plate			12903	2	
71	Screw			12885	1	
72	Plug	VTCE145	8	VTCE145	8	
73	Plug	12267	1	12267	1	
74	Washer	12246	2	12246	2	
75	Plug w/ Oil Feeder			VTCE123	2	
76	Dowel Pin			12884	1	
77	Pin					
78	Bushing					
79	Screw	VTCE119	6	VTCE119	6	
80	Washer	RA2	6	RA2	6	
81	Suction Cone	12589	1	12589	1	
82	Gasket	12266	1	12266	1	
83	Plug	NO14	1	NO14	1	
84	Stud Bolt	VP25	8	VP25	8	
85	Nut	DEA16	8	DEA16	8	
86	Washer	RE16	8	RE16	8	
87	Flange	9222	1	9222	1	
88	Gasket	6094	1	6094	1	
89	Plug/WithOilFeeder					
90	Screw	VTE4	2	VTE4	2	
91	Washer	RB10Z	2	RB10Z	2	
92	Washer	RE10	2	RE10	2	
93	Support Foot	12583	1	12583	1	
94	Dowel Pin	VCE7	1	VCE7	1	
95	Bushing					
96	Protection Grid	9633	1	9633	1	
97	Hydraulic Balancing Ring					
98	Dowel Pin	VCE29	2	VCE29	2	



ROVATTI PUMP		SLURRY PUMP SERIES "TLK+T" TL3 K80GA+ T				N° 97
POS.	DESCRIPTION	MODEL# TL3-K80GA		MODEL# TL3 K80GA+T		DIMENSIONS
		DESIGNATION	QTY	DESIGNATION	QTY	
1	Gear Box	8676	1	8676	1	
2	Stud bolt	VP16	6	VP16	6	
3	Nut	DEA12	6	DEA12	6	
4	Washer					
5	Breather plug w/ dipstick	4371	1	4371	1	
6	Cover	5154	1	5154	1	
7	Gasket	5147	1	5147	1	
8	Screw	VTE1	8	VTE1	8	
9	Washer	RB6	8	RB6	8	
10	Magnetic Plug	4470	1	4470	1	
11	Universal Joint guard	4477	1	4477	1	
12	Screw	VTE2	3	VTE2	3	
13	Washer	RB8	3	RB8	3	
14	PTO Shaft	6701	1	6701	1	
15	Cover	5127	1	5127	1	
16	Gasket	5148	1	5148	1	
17	Screw					
18	Seal Ring	AT10	1	AT10	1	356010
19	Bearing	CU4b	1	CU4b	1	
20	Transmission Gear Z=74 R=3,36	5443	1	5443	1	
20	Transmission Gear Z=81 R=5,40	5142	1	5142	1	
20	Transmission Gear					
20	Transmission Gear					
21	Spacer	5132	1	5132	1	
22	Bearing	CU9	1	CU9	1	
23	Cover	5129	1	5129	1	
24	O-Ring	OR4	1	OR4	1	
25	Screw	VTE27	2	VTE27	2	
26	Washer	RE12	2	RE12	2	
27	Cover	8677	1	8677	1	
28	Inner Spring Washer	AFI18	1	AFI18	1	
29	Dowel Pin	VCE17	1	VCE17	1	
30	Dowel Pin	VCE18	1	VCE18	1	
31	Plug	NO87	1	NO87	1	
32	Cover,adjustment	8675	1	8675	1	
33	O-Ring	OR39	1	OR39	1	
34	Bearing	CU70	1	CU70	1	
35	Shaft w/ pinion Z=22 R=3,36	12645	1	12645	1	
35	Shaft w/ pinion Z=15 R=5,40	12646	1	12646	1	
36	Spacer	8674	1	8674	1	
37	Bearing	CU69	1	CU69	1	
38	Cover	5128	1	5128	1	
39	O-Ring	OR4	1	OR4	1	
40	Snap Ring	AFI8	1	AFI8	1	
41	Seal Ring	AT6	1	AT6	1	
42	Water Sealing Ring	AP4	1	AP4	1	
43	Pump Support	5438	1	5438	1	
44	Gasket	5149	1	5149	1	
45	Gasket	5464	1	5464	1	
46	Stud bolt	VTCE139	4	VTCE139	4	
47	Nut					
48	Washer					
49	Cover	13153	1	13153	1	

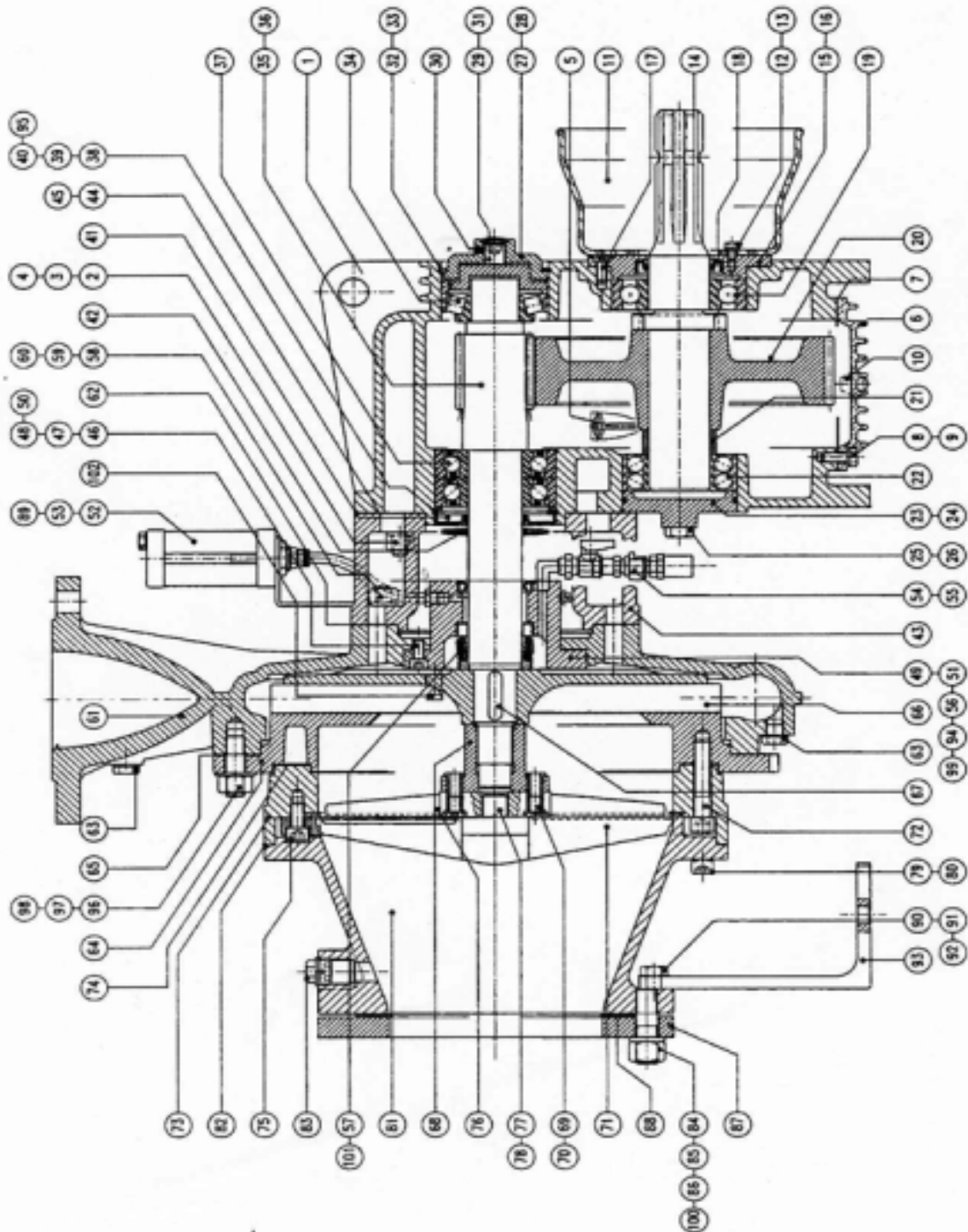


ROVATTI PUMP		SLURRY PUMP SERIES "TLK+T" TL3K80GA+T				N° 97
POS.	DESCRIPTION	MODEL# TL3K-80GA		MODEL# TL3 K80GA+T		DIMENSIONS
		DESIGNATION	QTY	DESIGNATION		
51	Seal Ring	AT6	1	AT6	1	
52	Oil Feeder	12785	1	12785	1	
53	Total Protection					
54	Union	NO210	1	NO210	1	
55	Mechanical Seal	13154	1	13154	1	
56	Plug					
57	Mechanical Seal	TM35V	1	TM35V	1	
58	Screw/Stud Bolt	VTE12	4	VTE12	4	
59	Nut					
60	Washer	RE12	4	RE12	4	
61	Pump Body	12643	1	12643	1	
62	Gasket	5202	1	5202	1	
63	Plug	NO19	2	NO19	2	
64	Wear Plate	12290	1	12290	1	
65	Gasket	12246	2	12246	2	
66	Impeller	12294	1	12294	1	
67	Key	LI12	1	LI12	1	
68	Hub	DA27B	1	12902	1	
69	Screw			VTSP10	2	
70	Pin			12903	2	
71	Blade, Stationary			12885	1	
72	Screw	VTCEI50	8	VTCEI50	8	
73	Shell	12267	1	12267	1	
74	Gasket	12246	2	12246	2	
75	Screw			VTCEI23	2	
76	Blade, Rotating			12884	1	
77	Pin					
78	Bushing					
79	Screw	VTCE119	6	VTCE119	6	
80	Washer	RA2	6	RA2	6	
81	Suction Cone	12589	1	12589	1	
82	Gasket	12266	1	12266	1	
83	Plug	NO14	1	NO14	1	
84	Stud Bolt	VP25	8	VP25	8	
85	Nut	DEA16	8	DEA16	8	
86	Washer	RE16	8	RE16	8	
87	Flange	9222	1	9222	1	
88	Gasket	8094	1	8094	1	
89	Plug/WithOilFeeder					
90	Screw	VTE4	2	VTE4	2	
91	Washer	RB10Z	2	RB10Z	2	
92	Washer	RE10	2	RE10	2	
93	Support Foot	12647	1	12647	1	
94	Dowel Pin	VCE7	1	VCE7	1	
95	Bushing					
96	Protection Grid	9633	1	9633	1	
97	Hydraulic Balancing Ring					
98	Dowel Pin	VCE29	2	VCE29	2	
99	Union					

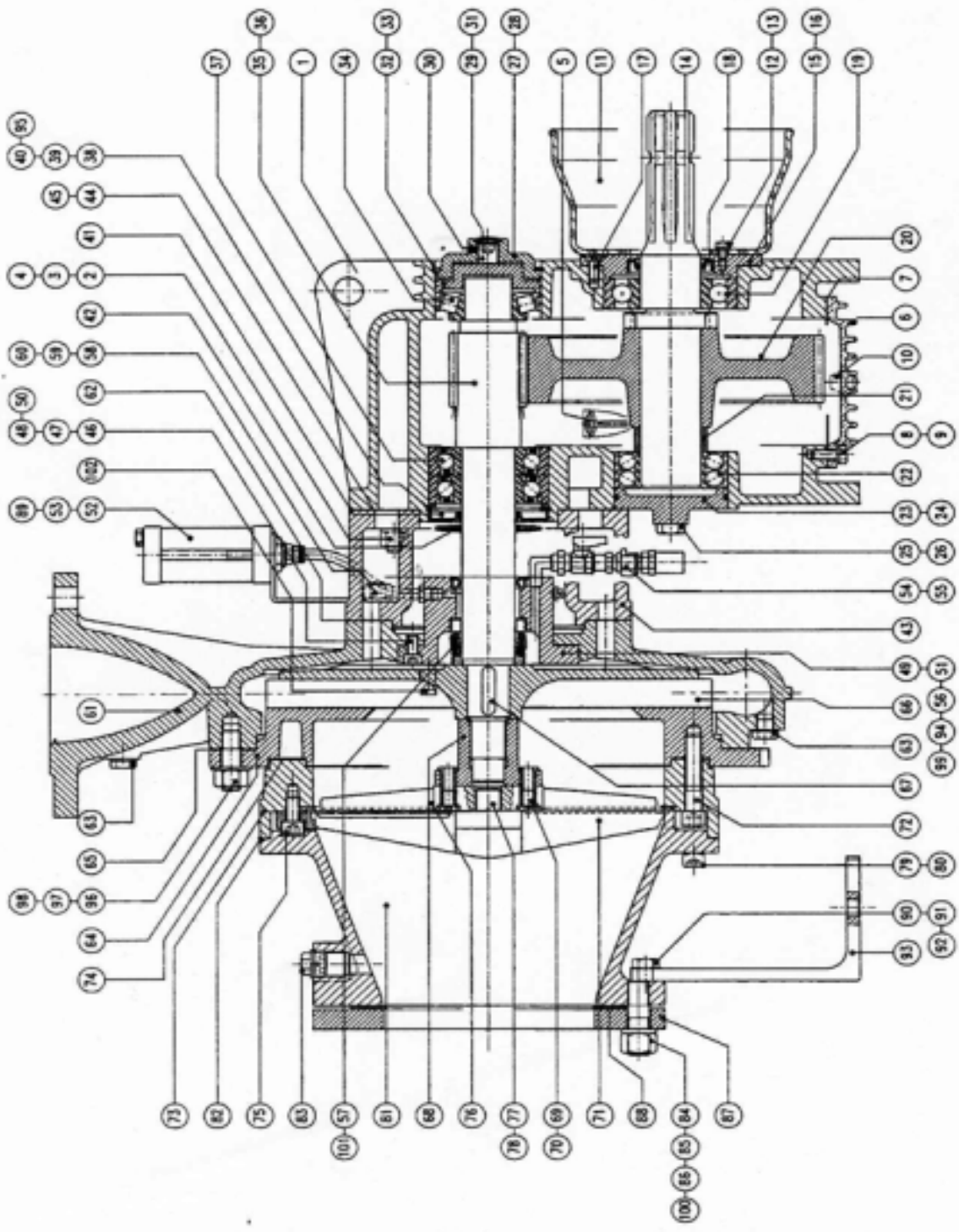
rovatti pompe

SLURRY PUMP
SERIES "TLK+T"
TL4 K125GA+T / TL4 K125GA

TAB. N° 98



ROVATTI PUMP		SLURRY PUMP SERIES "TLK+T				N° 98
POS.	DESCRIPTION	MODEL# TL4 K125GA +T		MODEL# TL4 K125GA		DIMENSIONS
		DESIGNATION	QTY	DESIGNATION	QTY	
1	Gearbox	8694	1	8694	1	
2	Stud bolt	VP16	6	VP16	6	12MM X 46MM
3	Nut	DEA12	6	DEA12	6	12MM
4	Washer					
5	Breather plug w/ dip stick	4371	1	4371	1	
6	Cover	5296	1	5296	1	
7	Gasket	4310	1	5310	1	
8	Screw	VTE2	8	VTE2	8	8MM X 20MM
9	Washer	RB8	8	RB8	8	
10	Magnetic plug	4470	1	4470	1	
11	Universal joint guard	4477	1	4477	1	
12	Screw	VTE11	3	VTE11	3	6MM X 10MM
13	Washer	RP1	3	RP1	3	
14	PTO Shaft	9826	1	9826	1	
15	Cover	5298	1	5298	1	
16	Gasket	5301	1	5301	1	
17	Screw	VTSP1	3	VTSP1	3	
18	Retaining ring	AT10	1	AT10	1	
19	Bearing	CU30	1	CU30	1	6309
20	Transmission gear Z=64 R2,56	5456	1	5456	1	64t R2.56
20	Transmission gear Z=82 R5,47	5371	1	5371	1	82t R5.47
21	Spacer	5300	1	5300	1	
22	Bearing	CU15	1	CU16	1	3209/C3---3206/C3
23	Cover	5297	1	5297	1	
24	O-ring	OR5	1	OR5	1	
25	Screw	VTE27	2	VTE27	2	
26	Washer	RE12	2	RE12	2	
27	Cover	8697	1	8697	1	
28	Inner spring washer	AFI19	1	AFI19	1	
29	Dowel Pin	VCE17	1	VCE17	1	
30	Dowel Pin	VCE18	1	VCE18	1	
31	Plug	NO87	1	NO87	1	
32	Collar / Washer ?	8696	1	8696	1	
33	O-ring	OR40	1	OR40	1	
34	Bearing	CU69	1	CU69	1	
35	Shaft w/ pinion					
35	Shaft w/ pinion Z=25 R=2.56	212694H	1	212694H	1	25t 2.56 ratio
35	Shaft w/ pinion Z=22 R=3.36	12693	1	12693	1	
35	Shaft w/ pinion Z=15 R=5.40	12694	1	12694	1	



ROVATTI PUMP		SLURRY PUMP SERIES "TLK+T				N° 98
POS.	DESCRIPTION	MODEL# TL4 K125GA +T		MODEL# TL4 K125GA		DIMENSIONS
		DESIGNATION	QTY	DESIGNATION	QTY	
36	Spacer					
37	Bearing	CU48	2	CU48	2	
38	Cover					
39	O-ring					
40	Inner spring washer	AFI9	1	AFI9	1	
41	Retaining ring	AT42	1	AT42	1	
42	Water sealing ring	AP5	1	AP5	1	
43	Pump support	5388	1	5388	1	
44	Gasket	5323	1	5323	1	
45	Gasket	5465	1	5465	1	
46	Stud bolt	VTCE139	4	VTCE139	4	
47	Nut					
48	Washer					
49	Cover	12578	1	12578	1	
50	Gasket	12581	1	12581	1	
51	Retaining ring	AT8	1	AT8	1	
52	Oil Feeder	12550	1	12550	1	
53	Total Protection					
54	Pipe Fitting	NO193	1	NO193	1	
55	Mechanical seal washing kit	13053	1	13053	1	
56	Plug	NO140	1	NO140	1	
57	Mechanical Seal	TM40V	1	TM40V	1	
57	Mechanical Seal	TM40L	1	TM40L	1	
58	Screw / Stud bolt	VTE41Z	4	VTE41Z	4	
59	Nut					
60	Washer	RE14	4	RE14	4	
61	Pump Body	12697	1	12697	1	Same as FL33K125
62	Gasket	3889	1	3889	1	Same as FL33K125
63	Plug	NO19	2	NO19	2	
64	Wear Plate	12216	1	12216	1	
65	Gasket	9616	2	9616	2	
66	Impeller	12215	1	12215	1	Same as FL33K125
67	Key	LI38	1	LI38	1	
68	Hub	12902	1	DA27b*	1	Same as FL33K125
69	Screw	VTSP10	2			
70	Pin	12903	2			
71	Fixed Blade	12886	2			
72	Screw	VTCE142	8	VTCE142	8	
73	Cover / Shell	12667	1	12667	1	
74	Gasket	12246	2	12246	2	
75	Screw	VTCEI23	2			

