

# ROVATTI PTO WATER PUMP PARTS MANUAL



## TUCKASEE IRRIGATION INC

300 DAV ROAD, PO BOX 837

RUSSELLVILLE, KY 42276

PHONE: 800-725-5986

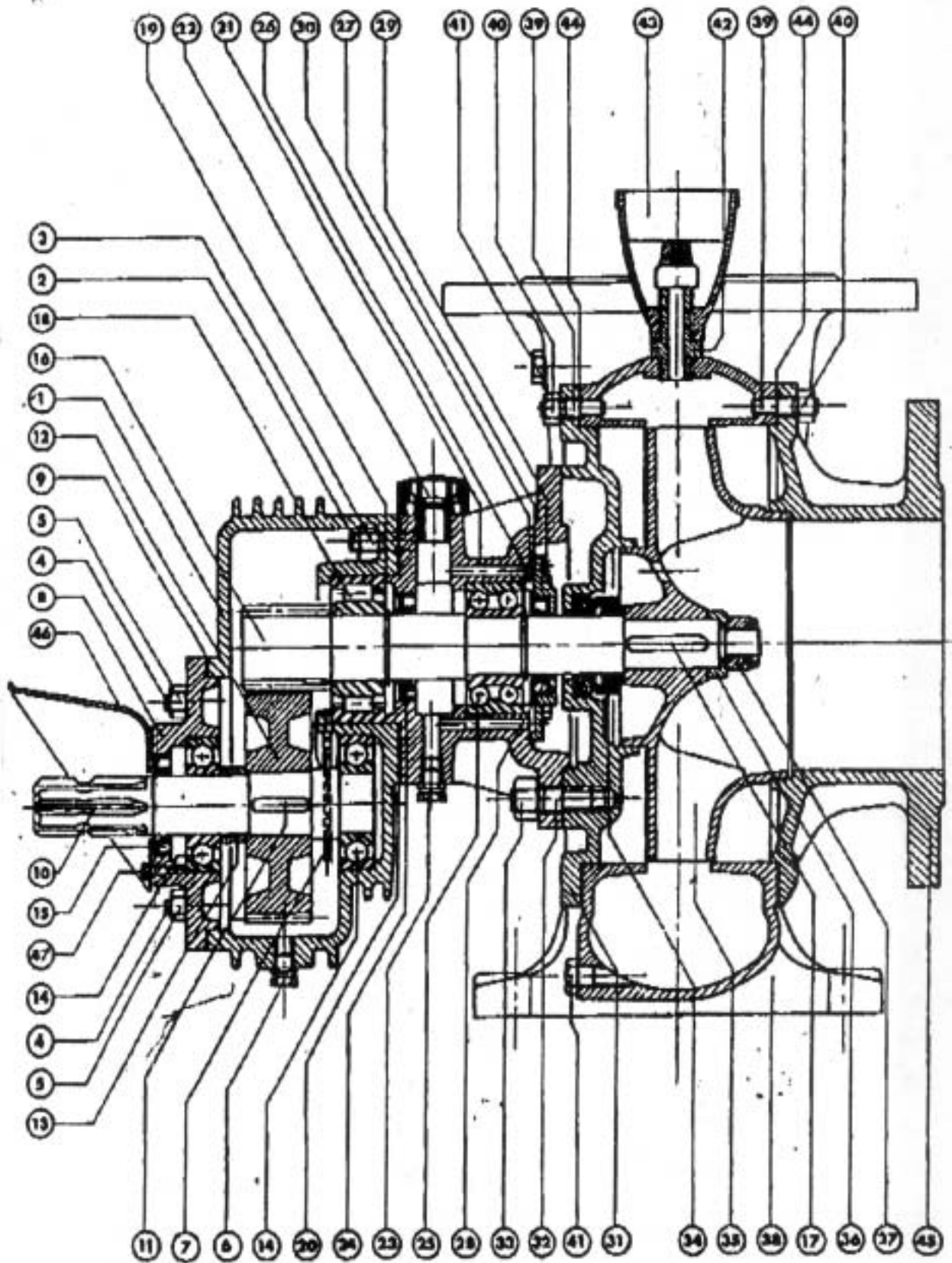
FAX: 270-726-9528

[www.tuckaseeirrigation.com](http://www.tuckaseeirrigation.com)

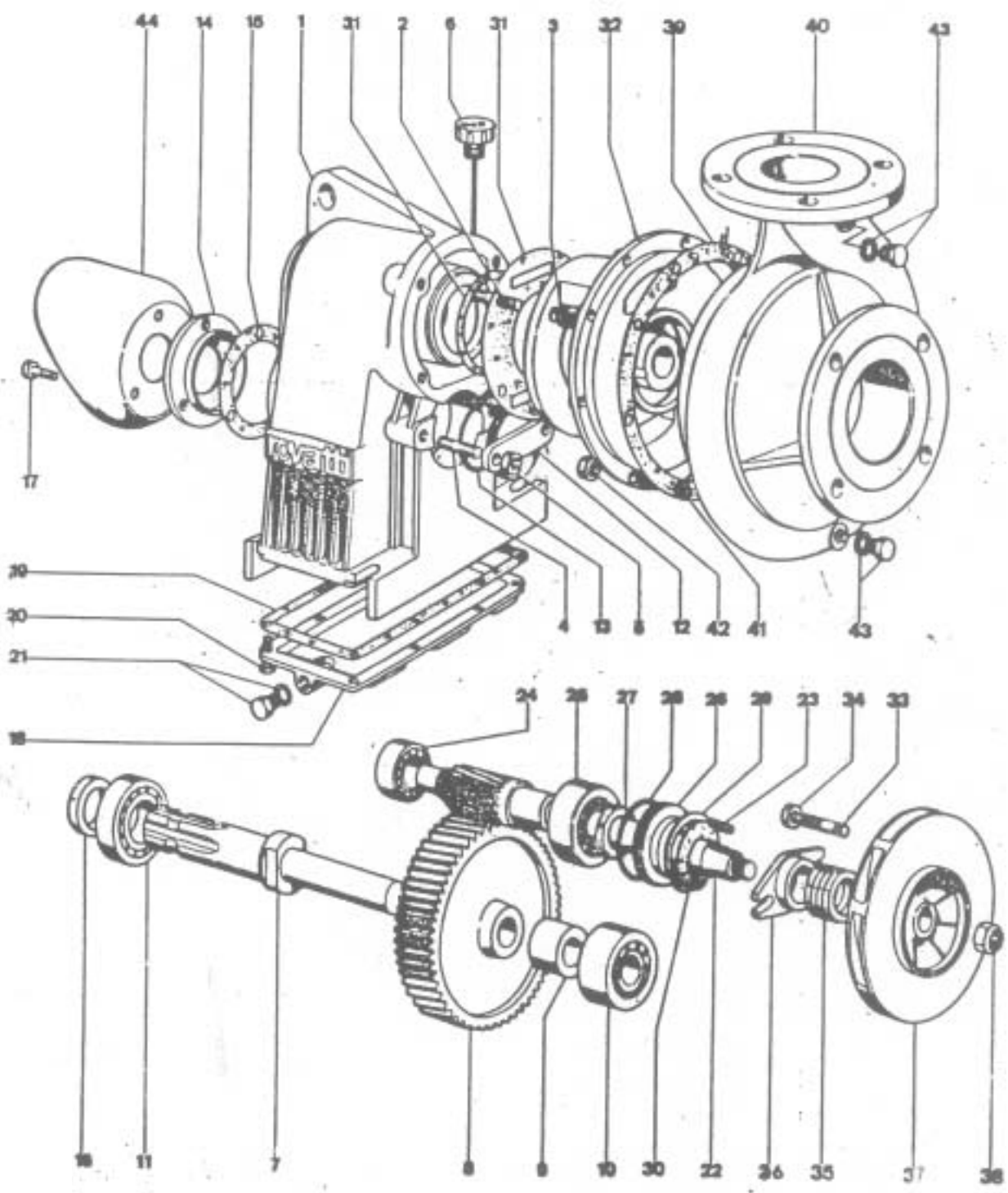


MBN20

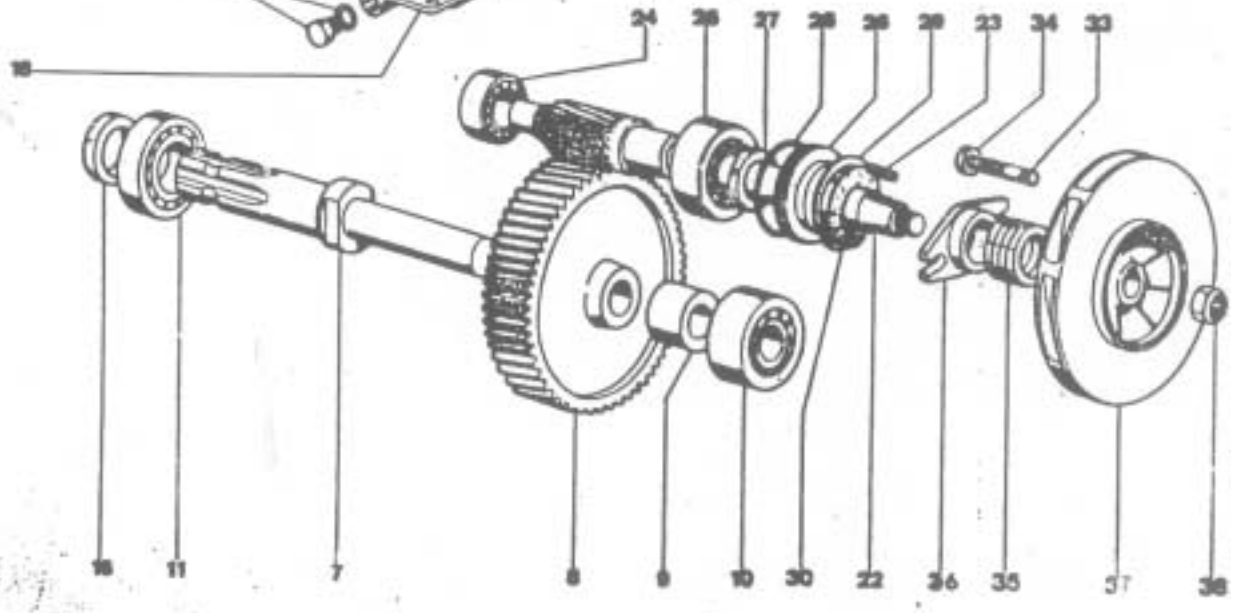
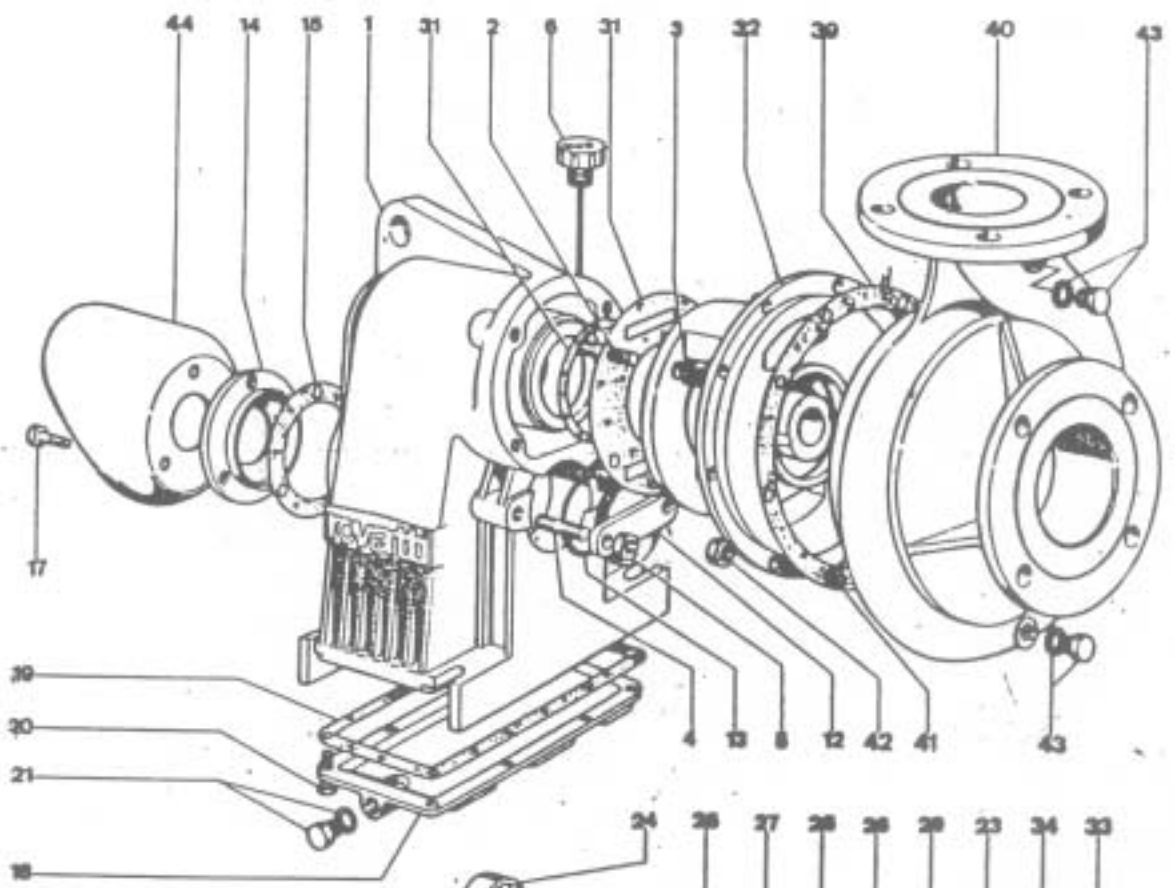
R3.14



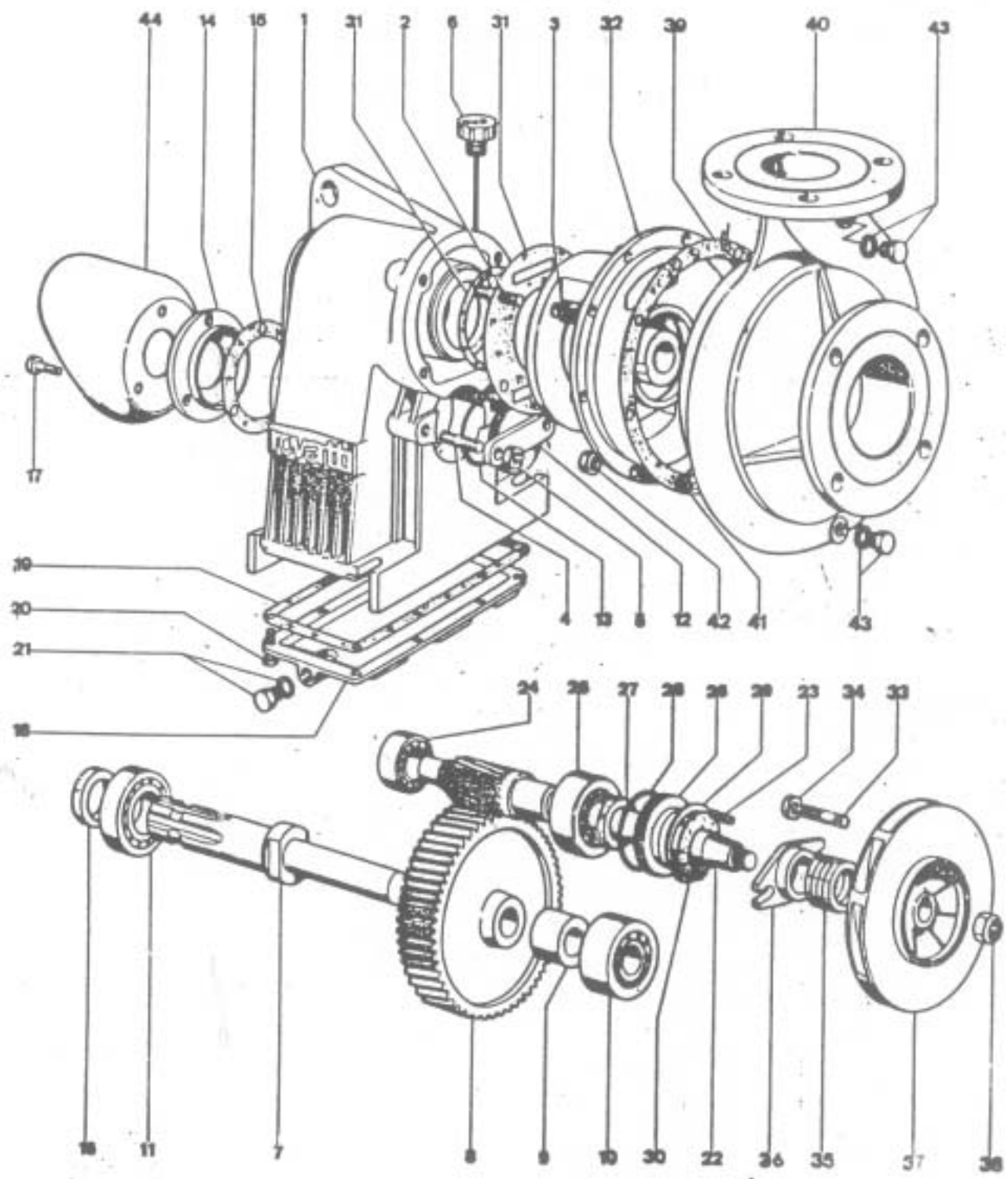
ROVATTI PTO WATER PUMP		WATER PUMP SERIES "MB"			
POS.	DESCRIPTION	MODEL# MBN-20		TUCKASEE #	DIMENSIONS
		ROVATTI #	QTY		
1	GEARBOX HOUSING	4926	1	RP4926	
2	STUD BOLT	VP16	4	RPVP16	12MM X 46 MM
3	NUT	DEA12	4	RPDEA12	12MM
4	STUD BOLT	VP3	4	RPVP3	10MM X 38MM
5	NUT	DEA10	4	RPDEA10	10MM
6	MAGNETIC PLUG	4470	1	RP4470	1/4 BPT
7	OIL LEVEL DIPSTICK	3405	1	RP3405	
8	COVER	4826	1	RP4826	
9	GASKET	4830	1	RP4830	
10	PTO SHAFT	3899	1	RP3899	
11	KEY, IMPELLER	LI12	1	RPLI12	9MM X44MM
12	TRANSMISSION GEAR	4943	1	RP4943	43t 2.87-1
12	TRANSMISSION GEAR	4940	1	RP4940	44t 3.14-1
13	SPACER	3403	1	RP3403	
14	BEARING	CU9	2	RPCU9	6307
15	RETAINING RING	AT7	1	RPAT7	
16	PINION SHAFT	4944	1	RP4944	15t 2.87-1
16	PINION SHAFT	4942		RP4942	14t 3.14-1
17	KEY	LI13	1	RPLI13	
18	BEARING	CU42	1	RPCU42	NU 2308
19	OUTER SPRING WASHER	AFE7	1	RPAFE7	
20	GASKET	4829	1	RP4829	
21	OVER-GEAR SUPPORT	4924	1	RP4924	
22	BREATHER PLUG	3370	1	RP3370	
23	MAGNETIC PLUG	4470	1	RP4470	
24	RETAINING RING	AT15	1	RPAT15	
25	BALL BEARING	CU21	1	RPCU21	3309/C3
26	OUTER SPRING WASHER	AFE5	1	RPAFE5	
27	COVER	3903	1	RP3903	
28	RETAINING RING	AT7	1	RPAT7	
29	SCREW	VTE2	4	RPVTE2	5.8 8mm x 20mm
30	GASKET	3355	1	RP3355	
31	PUMP SUPPORT	4929	1	RP4929	
32	STUD-BOLT	VP21	4	RPVP21	14MMX 50MM
33	NUT	DEA14	4	RPDEA14	14MM
34	MECHANICAL SEAL	TM35	1	RPTM35	
35	IMPELLER	4947	1	RP4947	
36	WASHER				
37	SELF-LOCKING NUT	DA24B	1	RPDA24B	
38	PUMP BODY	9370	1	RP9370	
39	STUD-BOLT	VP4	16	RPVP4	10MM X 42MM
40	NUT	DEA10	16	RPDEA10	
41	PLUG	NO19	2	RPNO19	1/4 BPT
42	PLUG	NO14	1	RPNO14	
43					
44	GASKET	2536	2	RP2536	
45	SUCTION COVER	9419	1	RP9419	
46	UNIVERSAL JOINT COVER	4477	1	RP4477	
47	SCREW	VTE56	3	RPVTE56	



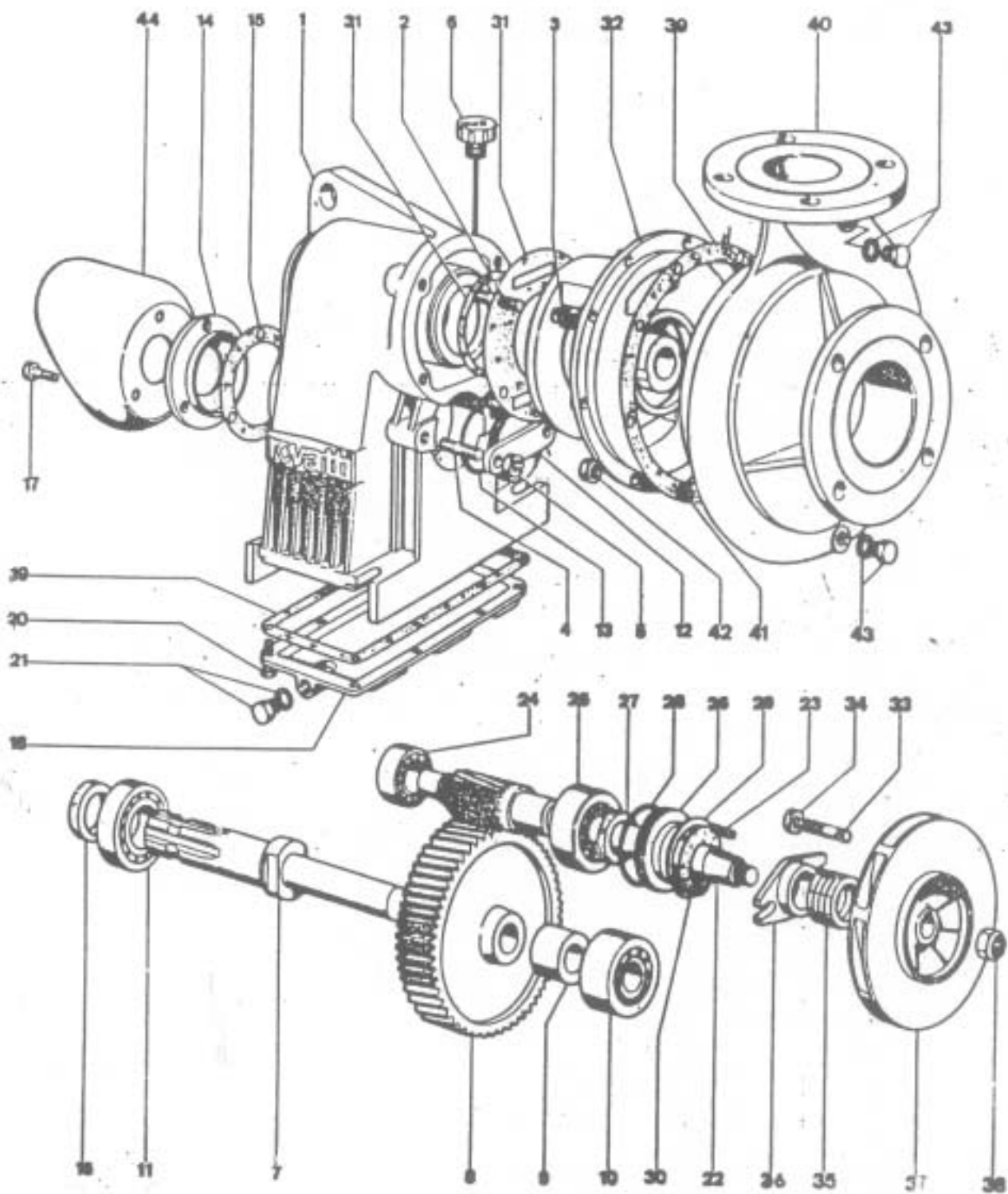
ROVATTI PTO WATER PUMP		WATER PUMP SERIES "T1"			
POS.	DESCRIPTION	MODEL# T1-80		TUCKASEE #	DIMENSIONS
		ROVATTI #	QTY		
1	GEARBOX HOUSING	4129	1	RP4129	
2	STUD BOLT	VP3	4	RPVP3	10MM X 38MM
3	NUT	DEA10	4	RPDEA10	10MM
4	STUD BOLT	VP3	2	RPVP3	10MM X 38MM
5	NUT	DEA10	2	RPDEA10	10MM
6	PLUG WITH DIPSTICK	4371	1	RP4371	
7	PTO SHAFT	4161	1	RP4161	
8	TRANSMISSION GEAR	5454	1	RP5454	7.58-1 91t
8	TRANSMISSION GEAR	4156	1	RP4156	7.00-1 91t
8	TRANSMISSION GEAR	4158	1	RP4158	6.43-1 90t
8	TRANSMISSION GEAR	4157	1	RP4157	5.93-1 89t
8	TRANSMISSION GEAR	4159	1	RP4159	5.50-1 88t
8	TRANSMISSION GEAR	4160	1	RP4160	5.10-1 87t
9	SPACER	4153	1	RP4153	
10	BALL BEARING	CU36	1	RPCU36	3205 C3
11	BALL BEARING	CU4	1	RPCU4	6207
12	COVER BEARING	4181	1	RP4181	
13	O-RING	OR1	1	RPOR1	
14	COVER, PTO	4379	1	RP4379	{T1-T2}
15	GASKET PTO COVER	4378	1	RP4378	{T1-T2}
16	SEAL, OIL	AT7	1	RPAT7	356010
17	BOLT	VTE2	3	RPVTE2	8MM X 20MM
18	COVER, LOWER	4155	1	RP4155	
19	GASKET, LOWER COVER	4152	1	RP4152	
20	BOLT	VTE1	8	RPVTE1	6MM X 15MM
21	PLUG, OIL DRAIN	4470	1	RP4470	1/4 BPT/MAGNETIC
22	SHAFT WITH PINION	5455	1	RP5455	7.58-1 12t
22	SHAFT WITH PINION	4163	1	RP4163	7.00-1 13t
22	SHAFT WITH PINION	4164	1	RP4164	6.43-1 14t
22	SHAFT WITH PINION	4165	1	RP4165	5.93-1 15t
22	SHAFT WITH PINION	4162	1	RP4162	5.50-1 16t
22	SHAFT WITH PINION	4166	1	RP4166	5.10-1 17t
23	KEY, IMPELLER	LI2	1	RPLI2	5MM X 20MM
24	BALL BEARING	CU18	1	RPCU18	3304 {T1-T2}
25	BALL BEARING	CU19	1	RPCU19	3305 C3
26	COVER, PINION	4175	1	RP4175	
27	SEAL, OIL	AT16	1	RPAT16	25357
28	O-RING	OR2	1	RPOR2	
29	SNAP-RING [INTERNAL]	AFI 6	1	RPAFI 6	
30	WATER SEALING RING	AP1	1	RPAP1	
31	GASKET, PUMP SUPPORT	4154	1	RP4154	
32	SUPPORT, PUMP	4840	1	RP4840	
33	STUD BOLT	VP2	2	RPVP2	8MM X 46MM
34	NUT	DEA8	2	RPDEA8	8MM
35	PACKING RING	5638	6	RP5638	1/4 X 1/4 X 3 1/8
36	GLAND PACKING	1750	1	RP1750	
37	IMPELLER	4841	1	RP4841	
38	SELF-LOCKING NUT	DA14B	1	RPDA14B	14MM NYLON LOCK
39	GASKET, VOLUTE	2785	1	RP2785	
40	VOLUTE CASE	2788	1	RP2788	
41	STUD BOLT	VP3	6	RPVP3	10MM X 38MM
42	NUT	DEA10	6	RPDEA10	10MM
43	PLUG VOLUTE CASE	NO19	1	RPNO19	1/4 BPT
44	UNIVERSAL JOINT GUARD	4477	1	RP4477	



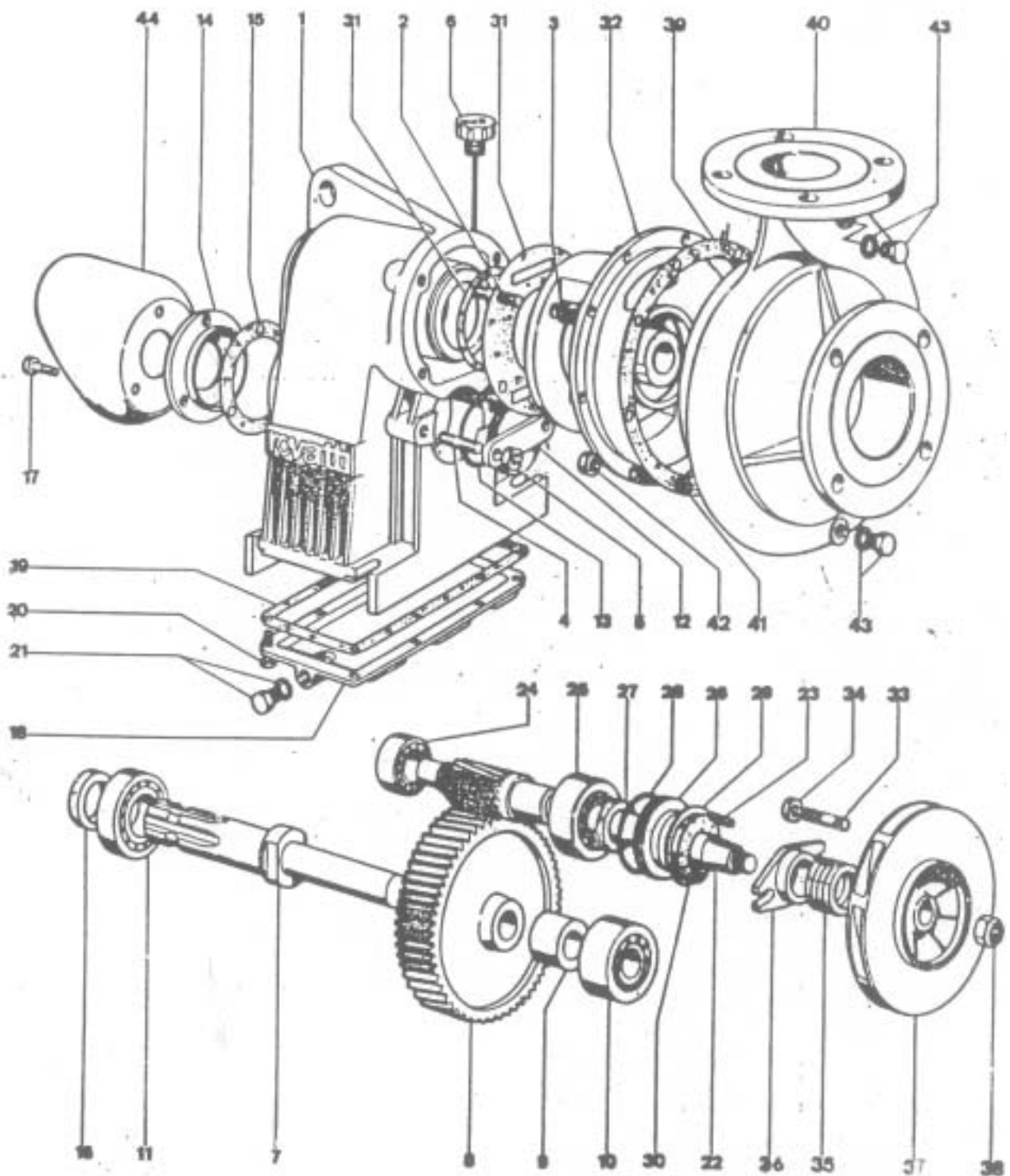
ROVATTI PTO WATER PUMP		WATER PUMP SERIES "T2"			
POS.	DESCRIPTION	MODEL# T2-65		TUCKASEE #	DIMENSIONS
		ROVATTI #	QTY		
1	GEARBOX HOUSING	4106	1	RP4106	
2	STUD BOLT	VP16	4	RPVP16	10MM X 38MM
3	NUT	DEA12	4	RPDEA12	10MM
4	STUD BOLT	VP16	2	RPVP16	10MM X 38MM
5	NUT	DEA12	2	RPDEA12	10MM
6	PLUG WITH DIPSTICK	4371	1	RP4371	
7	PTO SHAFT	4115	1	RP4115	
8	TRANSMISSION GEAR	5437	1	RP5437	7.58-1 91t
8	TRANSMISSION GEAR	4117	1	RP4117	7.00-1 91t
8	TRANSMISSION GEAR	4715	1	RP4715	6.43-1 90t
8	TRANSMISSION GEAR	4714	1	RP4714	5.93-1 89t
8	TRANSMISSION GEAR	4713	1	RP4713	5.50-1 88t
8	TRANSMISSION GEAR	4712	1	RP4712	5.10-1 87t
8	TRANSMISSION GEAR	4711	1	RP4711	4.47-1 85t
9	SPACER	4116	1	RP4116	
10	BALL BEARING	CU16	1	RPCU16	3206 C3
11	BALL BEARING	CU4	1	RPCU4	6207
12	COVER BEARING	4703	1	RP4703	
13	O-RING	OR2	1	RPOR2	
14	COVER, PTO	4379	1	RP4379	{T1-T2}
15	GASKET PTO COVER	4378	1	RP4378	{T1-T2}
16	SEAL, OIL	AT7	1	RPAT7	356010
17	BOLT	VTE2	3	RPVTE2	8MM X 20MM
18	COVER, LOWER	4111	1	RP4111	
19	GASKET, LOWER COVER	4723	1	RP4723	
20	BOLT	VTE1	8	RPVTE1	6MM X 15MM
21	PLUG, OIL DRAIN	4470	1	RP4470	1/4 BPT/MAGNETIC
22	SHAFT WITH PINION	5436	1	RP5436	7.58-1 12t
22	SHAFT WITH PINION	4118	1	RP4118	7.00-1 13t
22	SHAFT WITH PINION	4722	1	RP4722	6.43-1 14t
22	SHAFT WITH PINION	4721	1	RP4721	5.93-1 15t
22	SHAFT WITH PINION	4720	1	RP4720	5.50-1 16t
22	SHAFT WITH PINION	4719	1	RP4719	5.10-1 17t
22	SHAFT WITH PINION	4718	1	RP4718	4.47-1 19t
23	KEY, IMPELLER	LI20	1	RPLI20	5MM X 20MM
24	BALL BEARING	CU18	1	RPCU18	3304 {T1-T2}
25	BALL BEARING	CU20	1	RPCU20	3306 C3
26	COVER, PINION	4113	1	RP4113	
27	SEAL, OIL	AT2	1	RPAT2	25357
28	O-RING	OR3	1	RPOR3	
29	SNAP-RING [INTERNAL]	AF17	1	RPAF17	
30	WATER SEALING RING	AP2	1	RPAP2	
31	GASKET, PUMP SUPPORT	4168	1	RP4168	
31	GASKET	5734	1	RP5734	
32	SUPPORT, PUMP	4725	1	RP4725	
33	STUD BOLT	VP2	2	RPVP2	8MM X 46MM
34	NUT	DEA8	2	RPDEA8	8MM
35	PACKING RING	5639	6	RP5639	5/16 X 3/8 X 5 3/4
36	GLAND PACKING	2018	1	RP2018	
37	IMPELLER	2899	1	RP2899	
38	SELF-LOCKING NUT	DA16B	1	RPDA16B	14MM NYLON LOCK
39	GASKET, VOLUTE	3026	1	RP3026	
40	VOLUTE CASE	2931	1	RP2931	
41	STUD BOLT	VP1	6	RPVP1	10MM X 38MM
42	NUT	DEA8	6	RPDEA8	10MM
43	PLUG VOLUTE CASE	NO19	1	RPNO19	1/4 BPT
44	UNIVERSAL JOINT GUARD	4477	1	RP4477	



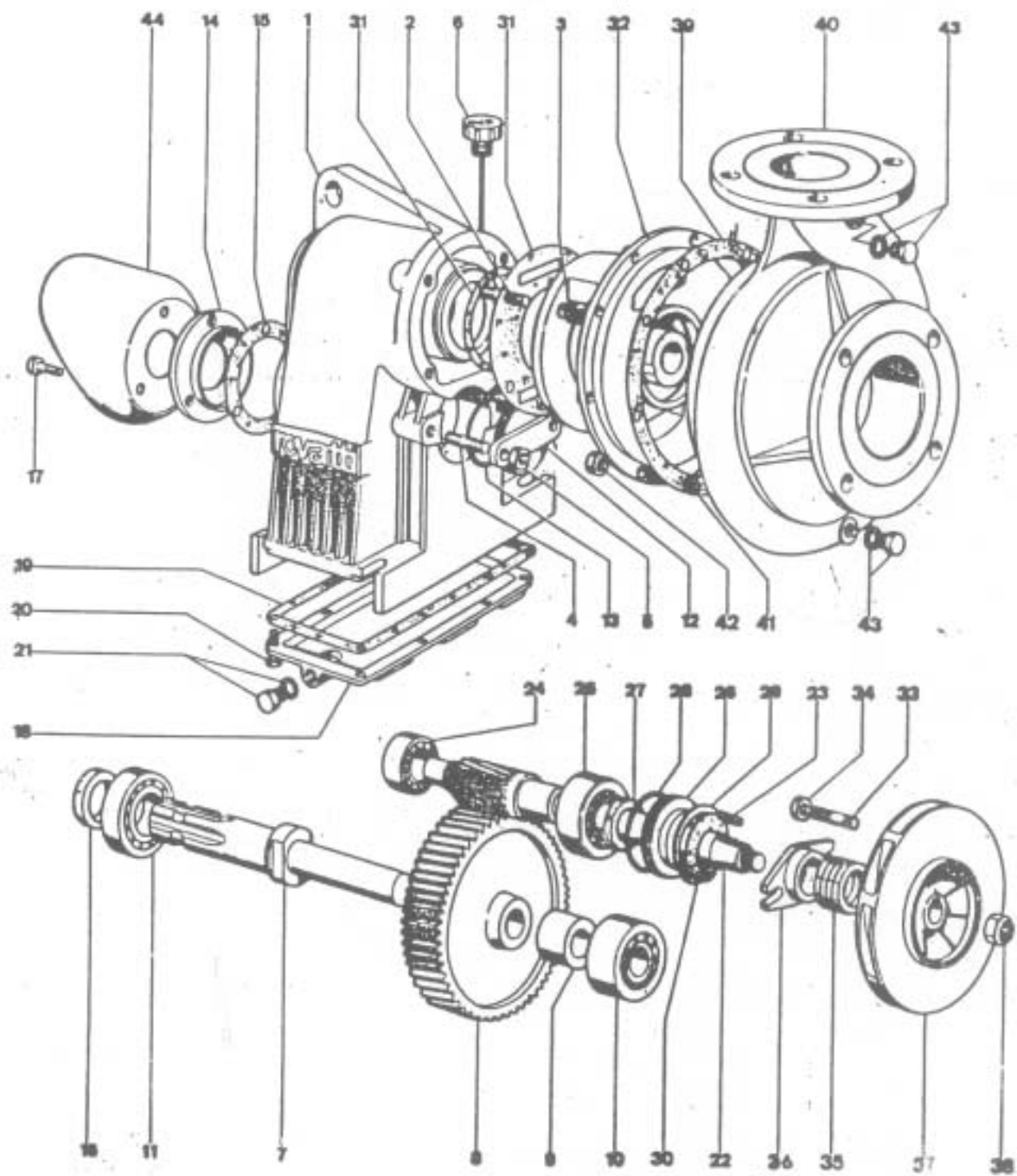
ROVATTI PTO WATER PUMP		WATER PUMP SERIES "T2"			
POS.	DESCRIPTION	MODEL# T2-85		TUCKASEE #	DIMENSIONS
		ROVATTI #	QTY		
1	GEARBOX HOUSING	4106	1	RP4106	
2	STUD BOLT	VP16	4	RPVP16	10MM X 38MM
3	NUT	DEA12	4	RPDEA12	10MM
4	STUD BOLT	VP16	2	RPVP16	10MM X 38MM
5	NUT	DEA12	2	RPDEA12	10MM
6	PLUG WITH DIPSTICK	4371	1	RP4371	
7	PTO SHAFT	4115	1	RP4115	
8	TRANSMISSION GEAR	5437	1	RP5437	7.58-1 91t
8	TRANSMISSION GEAR	4117	1	RP4117	7.00-1 91t
8	TRANSMISSION GEAR	4715	1	RP4715	6.43-1 90t
8	TRANSMISSION GEAR	4714	1	RP4714	5.93-1 89t
8	TRANSMISSION GEAR	4713	1	RP4713	5.50-1 88t
8	TRANSMISSION GEAR	4712	1	RP4712	5.10-1 87t
8	TRANSMISSION GEAR	4711	1	RP4711	4.47-1 85t
9	SPACER	4116	1	RP4116	
10	BALL BEARING	CU16	1	RPCU16	3206 C3
11	BALL BEARING	CU4	1	RPCU4	6207
12	COVER BEARING	4703	1	RP4703	
13	O-RING	OR2	1	RPOR2	
14	COVER, PTO	4379	1	RP4379	{T1-T2}
15	GASKET PTO COVER	4378	1	RP4378	{T1-T2}
16	SEAL, OIL	AT7	1	RPAT7	356010
17	BOLT	VTE2	3	RPVTE2	8MM X 20MM
18	COVER, LOWER	4111	1	RP4111	
19	GASKET, LOWER COVER	4723	1	RP4723	
20	BOLT	VTE1	8	RPVTE1	6MM X 15MM
21	PLUG, OIL DRAIN	4470	1	RP4470	1/4 BPT/MAGNETIC
22	SHAFT WITH PINION	5436	1	RP5436	7.58-1 12t
22	SHAFT WITH PINION	4118	1	RP4118	7.00-1 13t
22	SHAFT WITH PINION	4722	1	RP4722	6.43-1 14t
22	SHAFT WITH PINION	4721	1	RP4721	5.93-1 15t
22	SHAFT WITH PINION	4720	1	RP4720	5.50-1 16t
22	SHAFT WITH PINION	4719	1	RP4719	5.10-1 17t
22	SHAFT WITH PINION	4718	1	RP4718	4.47-1 19t
23	KEY, IMPELLER	LI20	1	RPLI20	5MM X 20MM
24	BALL BEARING	CU18	1	RPCU18	3304 {T1-T2}
25	BALL BEARING	CU20	1	RPCU20	3306 C3
26	COVER, PINION	4113	1	RP4113	
27	SEAL, OIL	AT2	1	RPAT2	25357
28	O-RING	OR3	1	RPOR3	
29	SNAP-RING [INTERNAL]	AF17	1	RPAF17	
30	WATER SEALING RING	AP2	1	RPAP2	
31	GASKET, PUMP SUPPORT	4168	1	RP4168	
31	GASKET	5734	1	RP5734	
32	SUPPORT, PUMP	4725	1	RP4725	
33	STUD BOLT	VP2	2	RPVP2	8MM X 46MM
34	NUT	DEA8	2	RPDEA8	8MM
35	PACKING RING	5639	6	RP5639	5/16 X 3/8 X 5 3/4
36	GLAND PACKING	2018	1	RP2018	
37	IMPELLER	3854	1	RP3854	
38	SELF-LOCKING NUT	DA16B	1	RPDA16B	14MM NYLON LOCK
39	GASKET, VOLUTE	3855	1	RP3855	
40	VOLUTE CASE	3852	1	RP3852	
41	STUD BOLT	VP3	6	RPVP3	10MM X 38MM
42	NUT	DEA10	6	RPDEA10	10MM
43	PLUG VOLUTE CASE	NO19	1	RPNO19	1/4 BPT
44	UNIVERSAL JOINT GUARD	4477	1	RP4477	



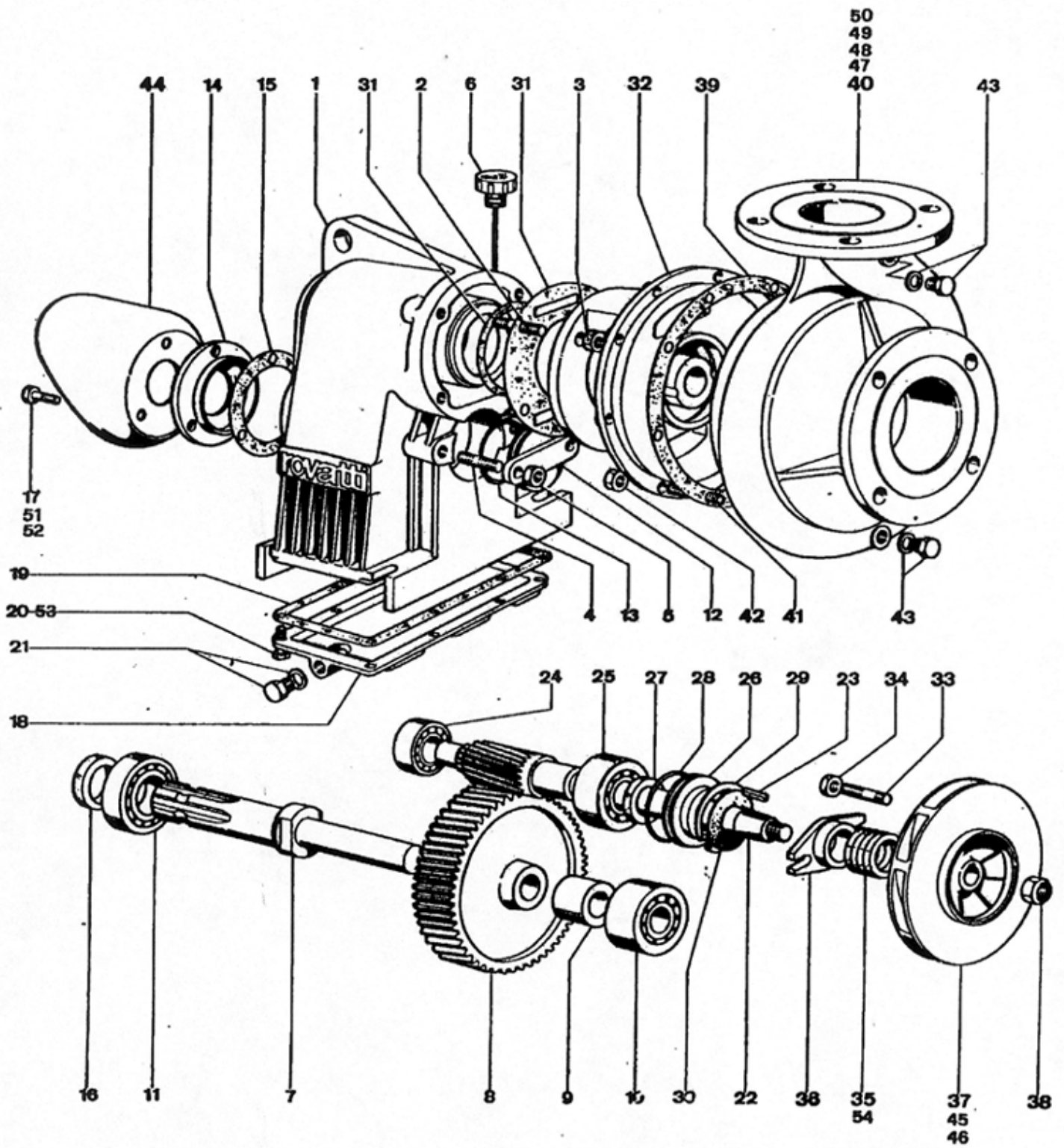
ROVATTI PTO WATER PUMP		WATER PUMP SERIES "T3"			
POS.	DESCRIPTION	MODEL# T3-80A		TUCKASEE #	DIMENSIONS
		ROVATTI #	QTY		
1	GEARBOX HOUSING	5153	1	RP5153	
2	STUD BOLT	VP16	4	RPVP16	10MM X 38MM
3	NUT	DEA12	4	RPDEA12	10MM
4	STUD BOLT	VP16	2	RPVP16	10MM X 38MM
5	NUT	DEA12	2	RPDEA12	10MM
6	PLUG WITH DIPSTICK	4371	1	RP4371	
7	PTO SHAFT	5131	1	RP5131	
8	TRANSMISSION GEAR	5140	1	RP5140	6.38-1 83t
8	TRANSMISSION GEAR	5141	1	RP5141	5.85-1 82t
8	TRANSMISSION GEAR	5142	1	RP5142	5.40-1 81t
8	TRANSMISSION GEAR	5143	1	RP5143	5.00-1 80t
8	TRANSMISSION GEAR	5215	1	RP5215	3.57-1 75t
8	TRANSMISSION GEAR	5435	1	RP5435	6.92-1 83t
9	SPACER	5139	1	RP5139	
10	BALL BEARING	CU9	1	RPCU9	6307
11	BALL BEARING	CU4b	1	RPCU4B	6209
12	COVER BEARING	5129	1	RP5129	
13	O-RING	OR4	1	RPOR4	
14	COVER, PTO	5127	1	RP5127	
15	GASKET PTO COVER	5148	1	RP5148	
16	SEAL, OIL	AT10	1	RPAT10	356010
17	BOLT	VTE2	3	RPVTE2	8MM X 20MM
18	COVER, LOWER	5154	1	RP5154	
19	GASKET, LOWER COVER	5147	1	RP5147	
20	BOLT	VTE1	8	RPVTE1	6MM X 15MM
21	PLUG, OIL DRAIN	4470	1	RP4470	1/4 BPT/MAGNETIC
22	SHAFT WITH PINION	5136	1	RP5136	6.38-1 13t
22	SHAFT WITH PINION	5137	1	RP5137	5.85-1 14t
22	SHAFT WITH PINION	5138	1	RP5138	5.40-1 15t
22	SHAFT WITH PINION	5139	1	RP5139	5.00-1 16t
22	SHAFT WITH PINION	5214	1	RP5214	3.57-1 21t
22	SHAFT WITH PINION	5434	1	RP5434	6.92-1 12t
23	KEY, IMPELLER	LI20	1	RPLI20	5MM X 20MM
24	BALL BEARING	CU20	1	RPCU20	3306 C3
25	BALL BEARING	CU21	1	RPCU21	3307 C3
26	COVER, PINION	5128	1	RP5128	
27	SEAL, OIL	AT6	1	RPAT6	25357
28	O-RING	OR4	1	RPOR4	
29	SNAP-RING [INTERNAL]	AFI8	1	RPAFI8	
30	WATER SEALING RING	AP3	1	RPAP3	
31	GASKET, PUMP SUPPORT	5149	1	RP5149	
31	GASKET	5464		RP5464	
32	SUPPORT, PUMP	5133	1	RP5133	
33	STUD BOLT	VP5	2	RPVP5	8MM X 46MM
34	NUT	DEA10	2	RPDEA10	8MM
35	PACKING RING	5640	6	RP5640	5/16 X 5/16 X 5 1/2
36	GLAND PACKING	1007	1	RP1007	
37	IMPELLER	4417	1	RP4417	
38	SELF-LOCKING NUT	DA20B	1	RPDA20B	14MM NYLON LOCK
39	GASKET, VOLUTE	3100	1	RP3100	
40	VOLUTE CASE	3102	1	RP3102	
41	STUD BOLT	VP3	6	RPVP3	10MM X 38MM
42	NUT	DEA10	6	RPDEA10	10MM
43	PLUG VOLUTE CASE	NO19	1	RPNO19	1/4 BPT
44	UNIVERSAL JOINT GUARD	4477	1	RP4477	



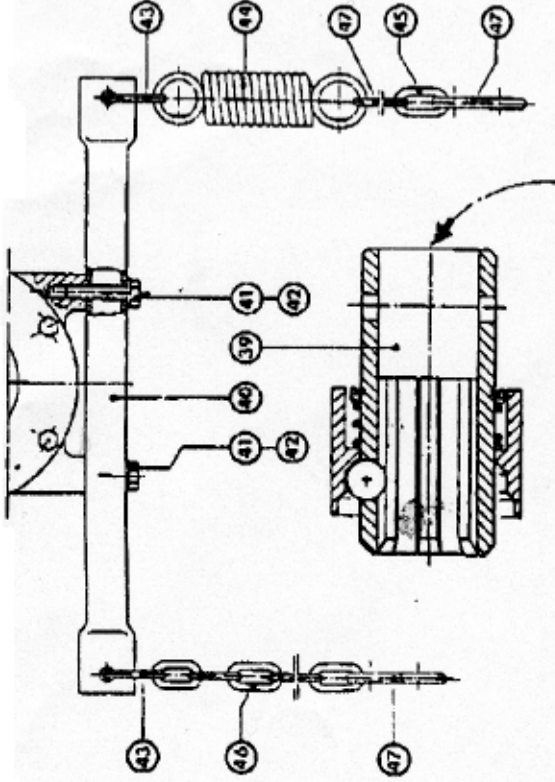
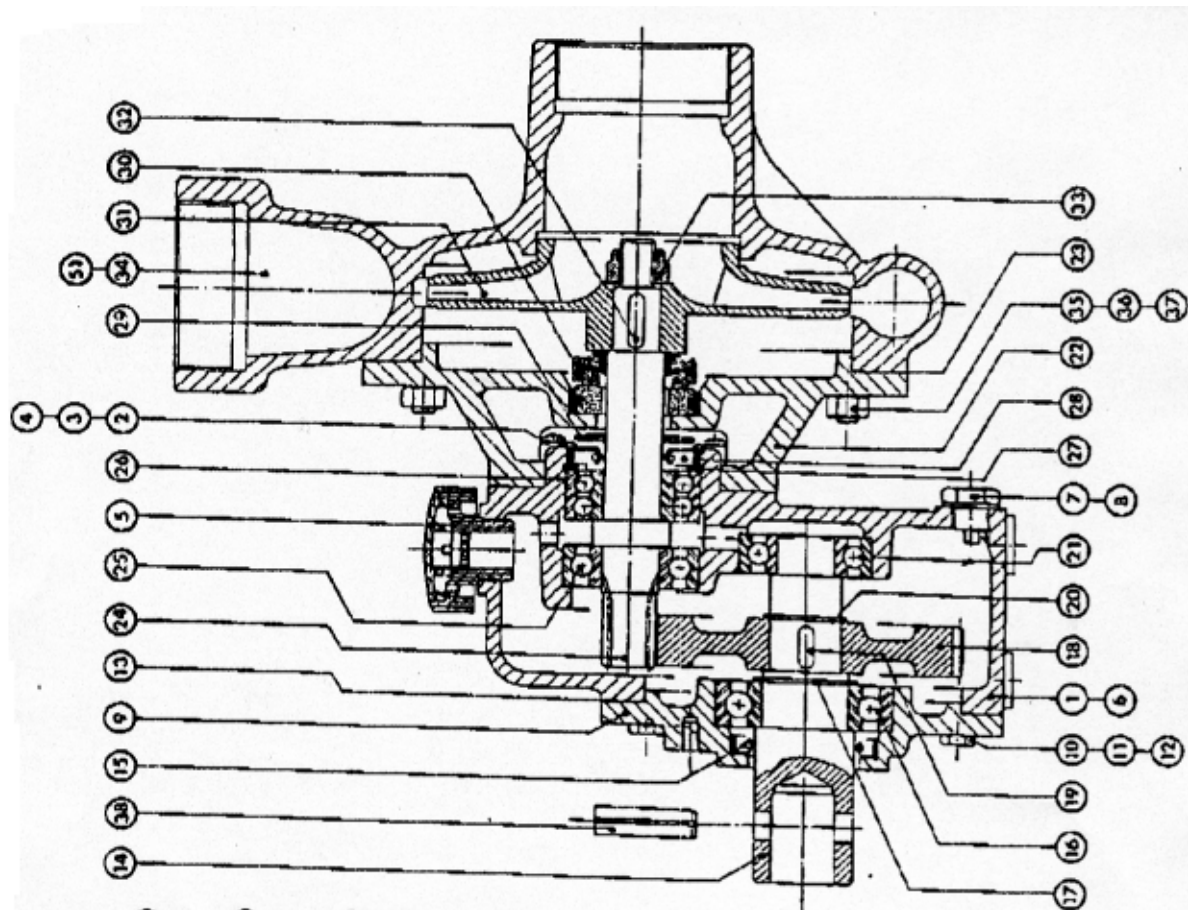
ROVATTI PTO WATER PUMP		WATER PUMP SERIES "T3"			
POS.	DESCRIPTION	MODEL# T3-110			DIMENSIONS
		ROVATTI #	QTY	TUCKASEE #	
1	GEARBOX HOUSING	5153	1	RP5153	
2	STUD BOLT	VP16	4	RPVP16	10MM X 38MM
3	NUT	DEA12	4	RPDEA12	10MM
4	STUD BOLT	VP16	2	RPVP16	10MM X 38MM
5	NUT	DEA12	2	RPDEA12	10MM
6	PLUG WITH DIPSTICK	4371	1	RP4371	
7	PTO SHAFT	5131	1	RP5131	
8	TRANSMISSION GEAR	5140	1	RP5140	6.38-1 83t
8	TRANSMISSION GEAR	5141	1	RP5141	5.85-1 82t
8	TRANSMISSION GEAR	5142	1	RP5142	5.40-1 81t
8	TRANSMISSION GEAR	5143	1	RP5143	5.00-1 80t
8	TRANSMISSION GEAR	5215	1	RP5215	3.57-1 75t
8	TRANSMISSION GEAR	5435	1	RP5435	6.92-1 83t
9	SPACER	5139	1	RP5139	
10	BALL BEARING	CU9	1	RPCU9	6307
11	BALL BEARING	CU4b	1	RPCU4b	6209
12	COVER BEARING	5129	1	RP5129	
13	O-RING	OR4	1	RPOR4	
14	COVER, PTO	5127	1	RP5127	
15	GASKET PTO COVER	5148	1	RP5148	
16	SEAL, OIL	AT10	1	RPAT10	356010
17	BOLT	VTE2	3	RPVTE2	8MM X 20MM
18	COVER, LOWER	5154	1	RP5154	
19	GASKET, LOWER COVER	5147	1	RP5147	
20	BOLT	VTE1	8	RPVTE1	6MM X 15MM
21	PLUG, OIL DRAIN	4470	1	RP4470	1/4 BPT/MAGNETIC
22	SHAFT WITH PINION	5136	1	RP5136	6.38-1 13t
22	SHAFT WITH PINION	5137	1	RP5137	5.85-1 14t
22	SHAFT WITH PINION	5138	1	RP5138	5.40-1 15t
22	SHAFT WITH PINION	5139	1	RP5139	5.00-1 16t
22	SHAFT WITH PINION	5214	1	RP5214	3.57-1 21t
22	SHAFT WITH PINION	5434	1	RP5434	6.92-1 12t
23	KEY, IMPELLER	LI20	1	RPLI20	5MM X 20MM
24	BALL BEARING	CU20	1	RPCU20	3306 C3
25	BALL BEARING	CU21	1	RPCU21	3307 C3
26	COVER, PINION	5128	1	RP5128	
27	SEAL, OIL	AT6	1	RPAT6	25357
28	O-RING	OR4	1	RPOR4	
29	SNAP-RING [INTERNAL]	AFI8	1	RPAFI8	
30	WATER SEALING RING	AP3	1	RPAP3	
31	GASKET, PUMP SUPPORT	5149	1	RP5149	
31	GASKET	5464		RP5464	
32	SUPPORT, PUMP	5133	1	RP5133	
33	STUD BOLT	VP5	2	RPVP5	8MM X 46MM
34	NUT	DEA10	2	RPDEA10	8MM
35	PACKING RING	5640	6	RP5640	5/16 X 5/16 X5 1/2
36	GLAND PACKING	1007	1	RP1007	
37	IMPELLER	4418	1	RP4418	
38	SELF-LOCKING NUT	DA20B	1	RPDA20B	14MM NYLON LOCK
39	GASKET, VOLUTE	2374	1	RP2374	
40	VOLUTE CASE	3342	1	RP3342	
41	STUD BOLT	VP3	6	RPVP3	10MM X 38MM
42	NUT	DEA10	6	RPDEA10	10MM
43	PLUG VOLUTE CASE	NO19	1	RPNO19	1/4 BPT
44	UNIVERSAL JOINT GUARD	4477	1	RP4477	



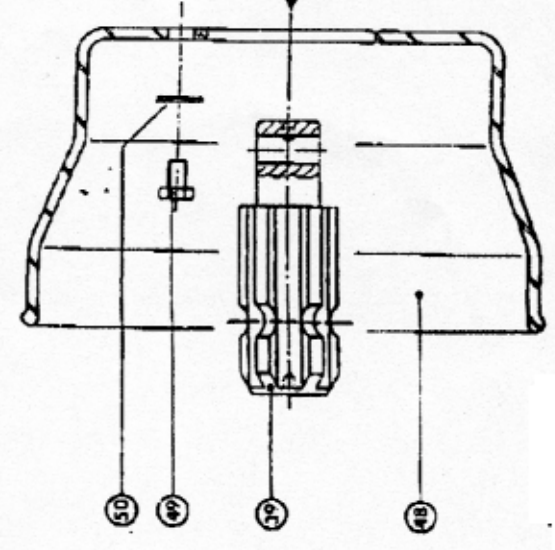
ROVATTI PTO WATER PUMP		WATER PUMP SERIES "T4"			
POS.	DESCRIPTION	MODEL# T4-100		TUCKASEE #	DIMENSIONS
		ROVATTI #	QTY		
1	GEARBOX HOUSING	5295	1	RP5295	
2	STUD BOLT	VP16	6	RPVP16	10MM X 38MM
3	NUT	DEA12	6	RPDEA12	10MM
4	STUD BOLT	VP16	2	RPVP16	10MM X 38MM
5	NUT	DEA12	2	RPDEA12	10MM
6	PLUG WITH DIPSTICK	4371	2	RP4371	
7	PTO SHAFT	5302	1	RP5302	
8	TRANSMISSION GEAR	5305	1	RP5305	5.93-1 83t 540 RPM
8	TRANSMISSION GEAR	5307	1	RP5307	5.47-1 82t 540 RPM
8	TRANSMISSION GEAR	5367	1	RP5367	
8	TRANSMISSION GEAR	5369	1	RP5369	
8	TRANSMISSION GEAR	5308	1	RP5308	3.41-1 75t 1000RPM
9	SPACER	5300	1	RP5300	
10	BALL BEARING	CU15	1	RPCU15	3209 C3
11	BALL BEARING	CU30	1	RPCU30	6309
12	COVER	5297	1	RP5297	
13	O-RING	OR5	1	RPOR5	
14	COVER, PTO	5298	1	RP5298	
15	GASKET PTO COVER	5301	1	RP5301	
16	RETAINING RING	AT10	1	RPAT10	356010
17	SCREW	VTE56	3	RPVTE56	8MM X 20MM
18	COVER, LOWER	5296	1	RP5296	
19	GASKET, LOWER COVER	5310	1	RP5310	
20	SCREW	VTE2	8	RPVTE2	6MM X 15MM
21	PLUG, OIL DRAIN	4470	1	RP4470	1/4 BPT/MAGNETIC
22	SHAFT WITH PINION	5314	1	RP5314	5.93-1 14t 540RPM
22	SHAFT WITH PINION	5315	1	RP5315	5.47-1 15t 540RPM
22	SHAFT WITH PINION	5366	1	RP5366	
22	SHAFT WITH PINION	6409	1	RP6409	
22	SHAFT WITH PINION	5316	1	RP5316	3.41-1 22t 1000RPM
23	KEY, IMPELLER	LI12	1	RPLI12	5MM X 20MM
24	BALL BEARING	CU21	1	RPCU21	3307 C3
25	BALL BEARING	CU31	1	RPCU31	3308 C3
26	COVER, PINION	5299	1	RP5299	
27	RETAINING RING	AT8	1	RPAT8	25357
28	O-RING	OR6	1	RPOR6	
29	INNER SPRING WASHER	AFI9	1	RPAFI9	
30	WATER SEALING RING	AP4	1	RPAP4	
31	GASKET, PUMP SUPPORT	5323	1	RP5323	
31	GASKET	5465		RP5465	
32	SUPPORT, PUMP	5321	1	RP5321	
33	STUD BOLT	VP5	2	RPVP5	8MM X 46MM
34	NUT	DEA10	2	RPDEA10	8MM
35	PACKING RING	5641	6	RP5641	5/16 X 5/16 X 5 3/4
36	GLAND PACKING FLANGE	1034	1	RP1034	
37	IMPELLER	5676	1	RP5676	
38	SELF-LOCKING NUT	DA24B	1	RPDA24B	14MM NYLON LOCK
39	GASKET, VOLUTE	4023	1	RP4023	
40	VOLUTE CASE	5675	1	RP5675	
41	STUD BOLT	VP16	10	RPVP16	10MM X 38MM
42	NUT	DEA12	10	RPDEA12	10MM
43	PLUG VOLUTE CASE	NO19	2	RPNO19	1/4 BPT
44	UNIVERSAL JOINT GUARD	4477	1	RP4477	
45	WEAR RING	3686	1	RP3686	
46	WEAR RING	5500	1	RP5500	



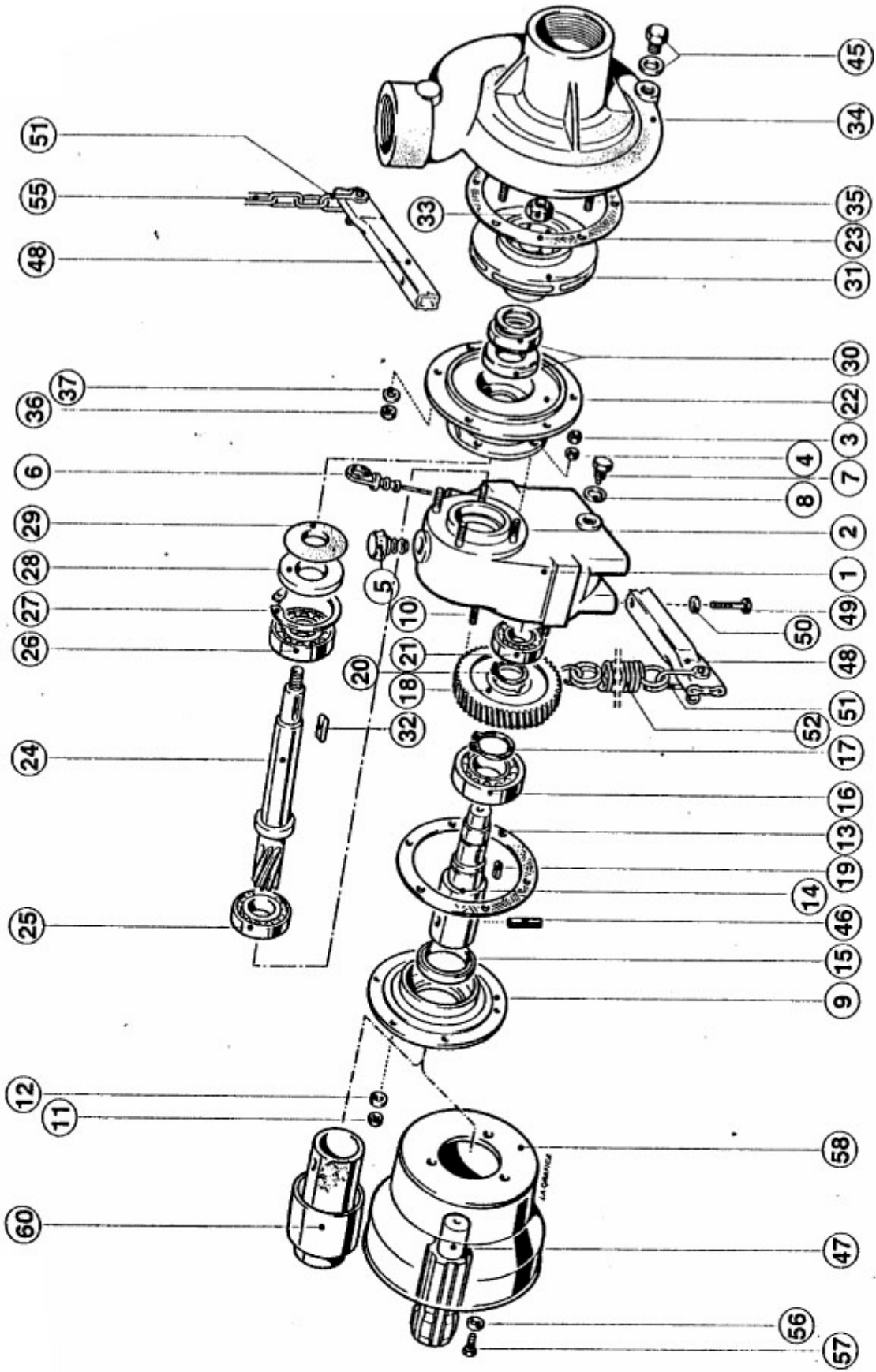
ROVATTI PTO WATER PUMP		WATER PUMP SERIES "T4"			
POS.	DESCRIPTION	MODEL# T4-110		TUCKASEE #	DIMENSIONS
		ROVATTI #	QTY		
1	GEARBOX HOUSING	5295	1	RP5295	
2	STUD BOLT	VP16	6	RPVP16	10MM X 38MM
3	NUT	DEA12	6	RPDEA12	10MM
4	STUD BOLT	VP16	2	RPVP16	10MM X 38MM
5	NUT	DEA12	2	RPDEA12	10MM
6	PLUG WITH DIPSTICK	4371	2	RP4371	
7	PTO SHAFT	5302	1	RP5302	
8	TRANSMISSION GEAR	5305	1	RP5305	5.93-1 83t 540RPM
8	TRANSMISSION GEAR	5307	1	RP5307	5.47-1 82t 540RPM
8	TRANSMISSION GEAR	5371	1	RP5371	79t 540RPM
8	TRANSMISSION GEAR	5308	1	RP5308	3.41-1 79t 540RPM
9	SPACER	5300	1	RP5300	
10	BALL BEARING	CU15	1	RPCU15	3209 C3
11	BALL BEARING	CU30	1	RPCU30	6309
12	COVER	5297	1	RP5297	
13	O-RING	OR5	1	RPOR5	
14	COVER, PTO	5298	1	RP5298	
15	GASKET PTO COVER	5301	1	RP5301	
16	RETAINING RING	AT10	1	RPAT10	356010
17	SCREW	VTE56	3	RPVTE56	8MM X 20MM
18	COVER, LOWER	5296	1	RP5296	
19	GASKET, LOWER COVER	5310	1	RP5310	
20	SCREW	VTE2	8	RPVTE2	6MM X 15MM
21	PLUG, OIL DRAIN	4470	1	RP4470	1/4 BPT/MAGNETIC
22	SHAFT WITH PINION	6546	1	RP6546	5.93-1 14t 540RPM
22	SHAFT WITH PINION	6547	1	RP6547	5.47-1 15t 540RPM
22	SHAFT WITH PINION	6551	1	RP6551	18t 540RPM
22	SHAFT WITH PINION	6548	1	RP6548	3.41-1 22t 1000RPM
23	KEY, IMPELLER	LI12	1	RPLI12	5MM X 20MM
24	BALL BEARING	CU21	1	RPCU21	3307 C3
25	BALL BEARING	CU31	1	RPCU31	3308 C3
26	COVER, PINION	5299	1	RP5299	
27	RETAINING RING	AT8	1	RPAT8	25357
28	O-RING	OR6	1	RPOR6	
29	INNER SPRING WASHER	AFI9	1	RPAFI9	
30	WATER SEALING RING	AP4	1	RPAP4	
31	GASKET, PUMP SUPPORT	5323	1	RP5323	
31	GASKET	5465		RP5465	
32	SUPPORT, PUMP	5388	1	RP5388	
33	STUD BOLT	VP5	2	RPVP5	8MM X 46MM
34	NUT	DEA10	2	RPDEA10	8MM
35	PACKING RING	5641	6	RP5641	5/16 X 5/16 X 5 3/4
36	GLAND PACKING FLANGE	1034	1	RP1034	
37	IMPELLER	5498	1	RP5498	
38	SELF-LOCKING NUT	DA24B	1	RPDA24B	14MM NYLON LOCK
39	GASKET, VOLUTE	5201	1	RP5201	
40	VOLUTE CASE	5204	1	RP5204	
41	STUD BOLT	VP16	10	RPVP16	10MM X 38MM
42	NUT	DEA12	10	RPDEA12	10MM
43	PLUG VOLUTE CASE	NO19	2	RPNO19	1/4 BPT
44	UNIVERSAL JOINT GUARD	4477	1	RP4477	
45	WEAR RING	3686	1	RP3686	
46	WEAR RING	5711	1	RP5711	
47	O-RING	3888	1	RP3888	
48	SUCTION COVER	5707	1	RP5707	
49	STUD BOLT	VP21	10	RPVP21	14MM X53 MM
50	NUT	DEA14	10	RPDEA14	14MM



Versione "TGF 50"



ROVATTI PTO WATER PUMP		WATER PUMP SERIES "TO"			
POS.	DESCRIPTION	MODEL# TOF-50-1		TUCKASEE #	DIMENSIONS
		ROVATTI #	QTY		
1	GEARBOX HOUSING	9582	1	RP9582	
2	STUD- BOLT	VP1	4	RPVP1	8MM X 32MM
3	NUT	DEA8	4	RPDEA8	8MM
4	WASHER	RE8	4	RPRE8	
5	BREATHER PLUG	8077	2	RP8077	
6	OIL LEVEL DIPSTICK	3405	1	RP3405	
7	MAGNETIC PLUG	4470	1	RP4470	1/4 BPT
8	WASHER	DRA4	1	RPDRA4	
9	COVER	9581	1	RP9581	
10	STUD- BOLT	VP20	6	RPVP20	6MM X 25MM
11	NUT	DEA6	6	RPDEA6	6MM
12	WASHER	RE6	6	RPRE6	
13	GASKET	9587	1	RP9587	
14	SHAFT WITH PINION	9588	1	RP9588	
15	LIP-SEAL	AT35	1	RPAT35	
16	BALL BEARING	CU3	1	RPCU3	6206
17	OUTER SPRING WASHER	AFE4	3	RPAFE4	
18	TRANSMISSION GEAR	9584	1	RP9584	70t 7.77-1
19	KEY	LI19	1	RPLI19	
20	OUTER SPRING WASHER	AFE3	8	RPAFE3	
21	BALL BEARING	CU28	1	RPCU28	6204
22	PUMP SUPPORT	3808	1	RP3808	
23	GASKET	2202	1	RP2202	
24	SHAFT WITH PINION	9583	1	RP9583	9t 7.77-1
25	BALL BEARING	CU28	1	RPCU28	6204
26	BALL BEARING	CU86	1	RPCU86	
27	INNER SPRING WASHER	AFI10	1	RPAFI10	
28	LIP SEAL	AT36	1	RPAT36	
29	WATER SEALING RING	AP1	1	RPAP1	
30	MECHANICAL SEAL	TM20	1	RPTM20	
31	IMPELLER	9589	1	RP9589	
32	KEY	LI2	1	RPLI2	
33	SELF-LOCKING NUT	DA12B	1	RPDA12B	12MM
34	PUMP BODY	9604	1	RP9604	
35	STUD-BOLT	VP35	6	RPVP35	8MM X34MM
36	NUT	DEA8	6	RPDEA8	8MM
37	WASHER	RE8	6	RPRE8	
38	ROLL-PIN	NO141	1	NO141	
39	SPLINED-COUPPLING	9625	1	RP9625	
40	LOCKING ARM	9586	1	RP9586	
41	SCREW	VTE69	2	RPVTE69	
42	WASHER	RE8	2	RPRE8	
43	CLEVIS	NO137	2	RPNO137	6MM
44	SPRING	9590	1	RP9590	
45	CHAIN	9690	1	RP9690	
46	CHAIN	9691	1	RP9691	
47	S-HOOK	NO130	3	RPNO130	
49	SCREW	VTE29	3	RPVTE29	
50	WASHER		3		
51	PLUG	NO19	2	RPNO19	



ROVATTI PTO WATER PUMP		WATER PUMP SERIES "TO"			
POS.	DESCRIPTION	MODEL# TOF-50-2		TUCKASEE #	DIMENSIONS
		ROVATTI #	QTY		
1	GEARBOX HOUSING	9582	1	RP9582	
2	STUD- BOLT	VP1	4	RPVP1	8MM X 32MM
3	NUT	DEA8	4	RPDEA8	8MM
4	WASHER	RE8	4	RPRE8	
5	BREATHER PLUG	8077	2	RP8077	
6	OIL LEVEL DIPSTICK	3405	1	RP3405	
7	MAGNETIC PLUG	4470	1	RP4470	1/4 BPT
8	WASHER	DRA4	1	RPDRA4	
9	COVER	9581	1	RP9581	
10	STUD- BOLT	VP20	6	RPVP20	6MM X25 MM
11	NUT	DEA6	6	RPDEA6	6MM
12	WASHER	RE6	6	RPRE6	
13	GASKET	9587	1	RP9587	
14	SHAFT WITH PINION	9588	1	RP9588	
15	LIP-SEAL	AT35	1	RPAT35	
16	BALL BEARING	CU3	1	RPCU3	6206
17	OUTER SPRING WASHER	AFE4	3	RPAFE4	
18	TRANSMISSION GEAR	9584	1	RP9584	70t 7.77-1
19	KEY	LI19	1	RPLI19	
20	OUTER SPRING WASHER	AFE3	8	RPAFE3	
21	BALL BEARING	CU28	1	RPCU28	6206
22	PUMP SUPPORT	3808	1	RP3808	
23	GASKET	2202	1	RP2202	
24	SHAFT WITH PINION	9583	1	RP9583	9t 7.77-1
25	BALL BEARING	CU28	1	RPCU28	6206
26	BALL BEARING	CU86	1	RPCU86	
27	INNER SPRING WASHER	AFI10	1	RPAFI10	
28	LIP SEAL	AT36	1	RPAT36	
29	WATER SEALING RING	AP1	1	RPAP1	
30	MECHANICAL SEAL	TM20	1	RPTM20	
31	IMPELLER	9589	1	RP9589	
32	KEY	LI2	1	RPLI2	
33	SELF-LOCKING NUT	DA12B	1	RPDA12B	12MM
34	PUMP BODY	9604	1	RP9604	
35	STUD-BOLT	VP35	6	RPVP35	8MM X 34MM
36	NUT	DEA8	6	RPDEA8	8MM
37	WASHER	RE8	6	RPRE8	
45	PLUG	NO19	1	RPNO19	
46	PIN	NO141	1	RPNO141	
47	SPLINED COUPLING	9625	1	RP9625	
48	LOCKING ARM	9586	2	RP9586	
49	SCREW	VTE69	2	RPVTE69	
50	WASHER	RE8	2	RPRE8	
51	CLEVIS	NO137	1	RPNO137	6MM
52	SPRING	9590	1	RP9590	
55	CHAIN	9691	1	RP9691	
56	WASHER	RE8	3	RPRE8	
57	SCREW	VTE29	3	RPVTE29	
58	UNIVERSAL JOINT GUARD				
60	COUPLING	NO19	2	RPNO19	