

TUCKASEE IRRIGATION SPORT TRAVELER PARTS BOOK



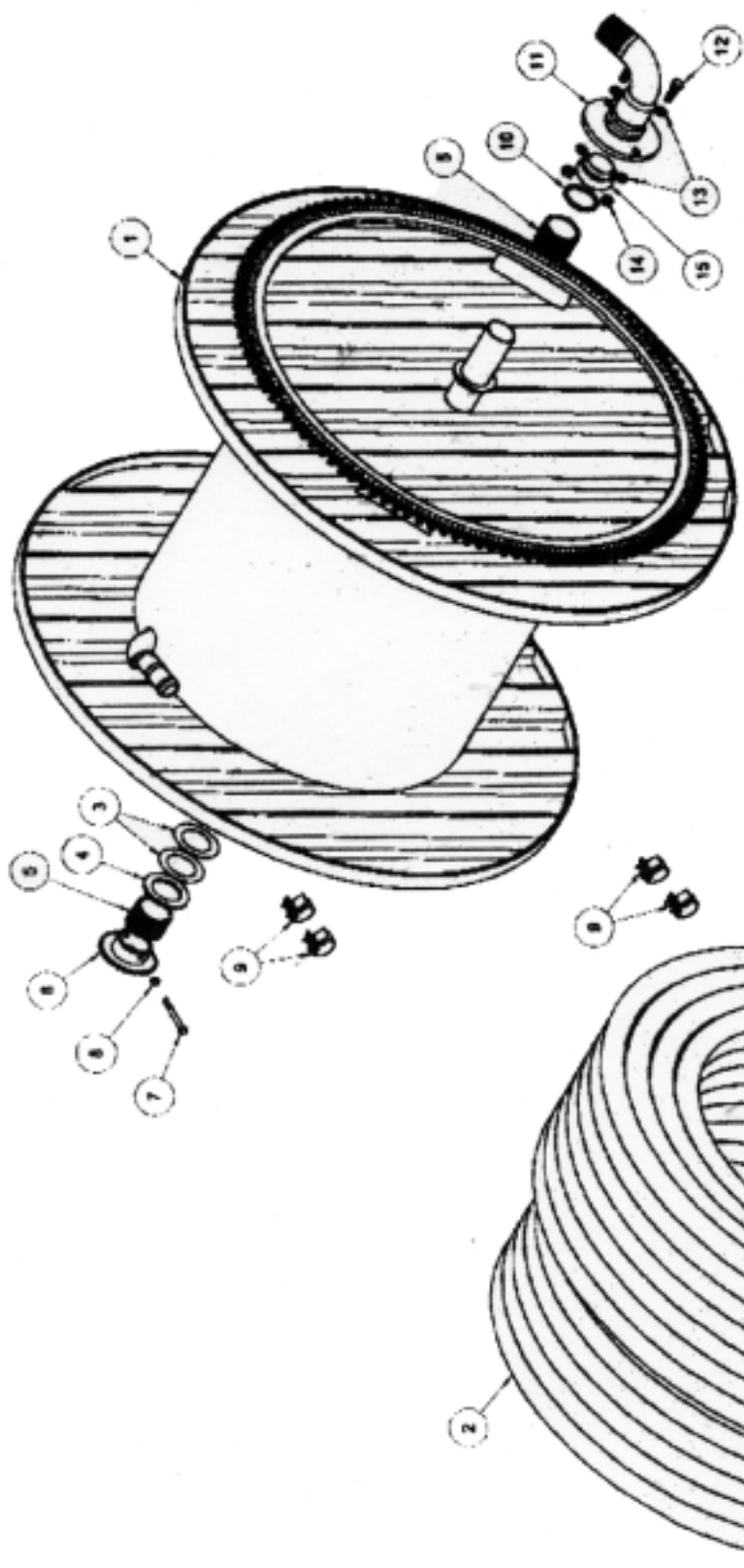
"When Mother Nature Wont Deliver,
Tuckasee Will"



TUCKASEE IRRIGATION INC
PO BOX 837 300 DAV RD
RUSSELLVILLE KY 42276
PHONE: 800-725-5986
FAX: 270-726-9528
www.tuckaseeirrigation.com

SPORT FRAME 0007

ITEM #	QTY	PART #	DESCRIPTION	DIMENSIONS
1	1	IP71-C-501/C	Traveler Frame	
2	1	IP71-C-502	Traveler Tongue	
3	1	IP09-C-40/A	Pin	5/8X41/2
4	1	IPU-090-040	Hitch Pin	5/32 X 2-5/16
5	2	IPU-176-015	Tire & Wheel Assembly	4.00 X 8" 2 pr.
6	8	IPU-013-12	Lug Nuts	12 mm X 1.25 mm
7	2	IPS-088-005	Hub And Spindle Assy	
8	2	IPU-100-16040	Locking Bolt	16 mm X 40 mm
9	2	IPU-103-10100	Bolt	10 mm X 100 mm
10	2	IPU-026-10	Locking Nut	10 mm
11	1	IP74-C-501/B	Shut Off Bar	
12	1	IPU-103-08060	Bolt	8 mm X 60 mm
13	1	IPU084-081716	Washer	8 mm
14	1	IPU-026-08	Locking Nut	8 mm



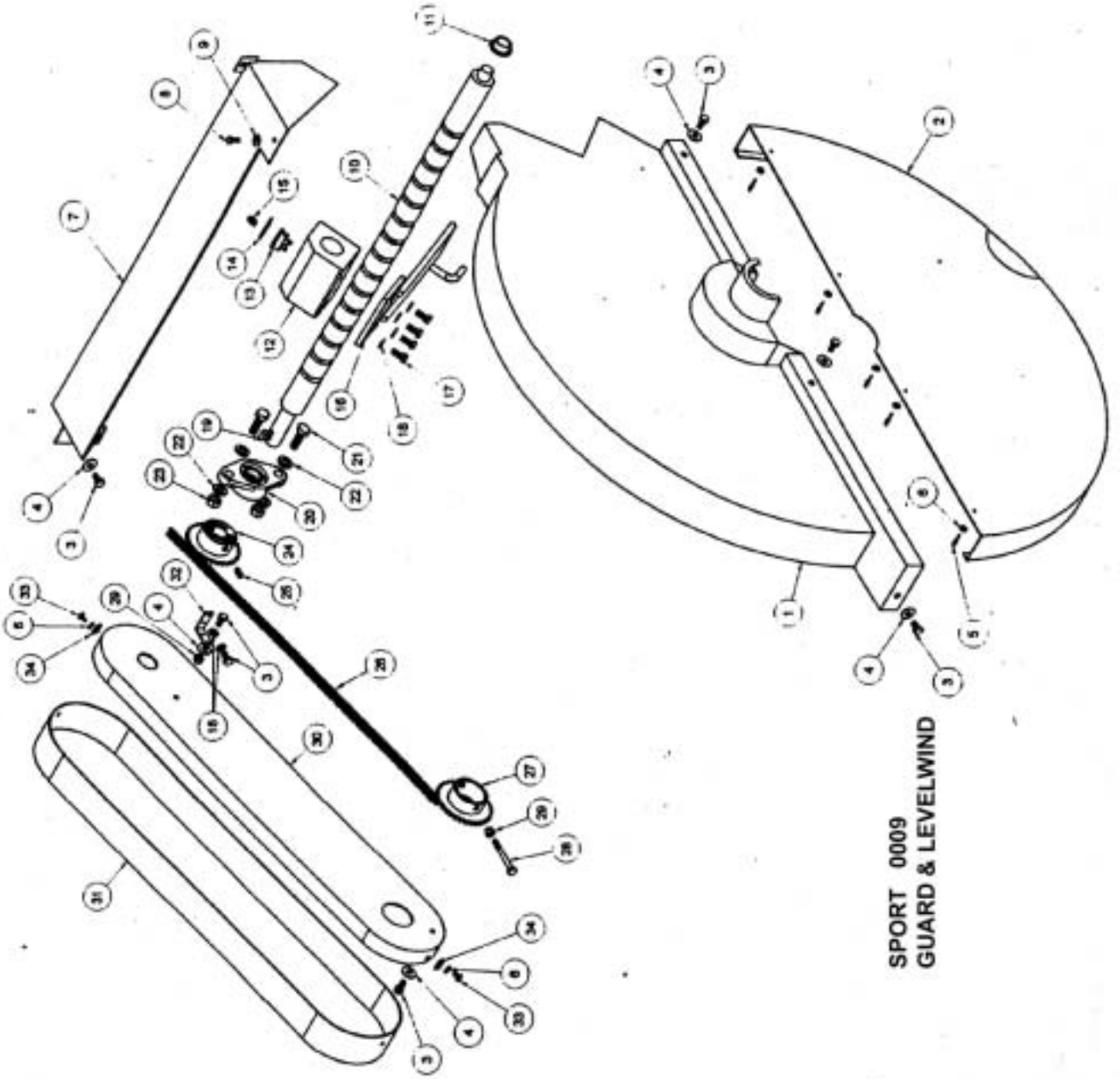
SPORT SPOOL 0008A



ATTENZIONE!
 A RICHIESTA UTENSILE (COD. S-181-001)
 PER STRINGERE FASCETTE BAND-IT

SPORT SPOOL 0008

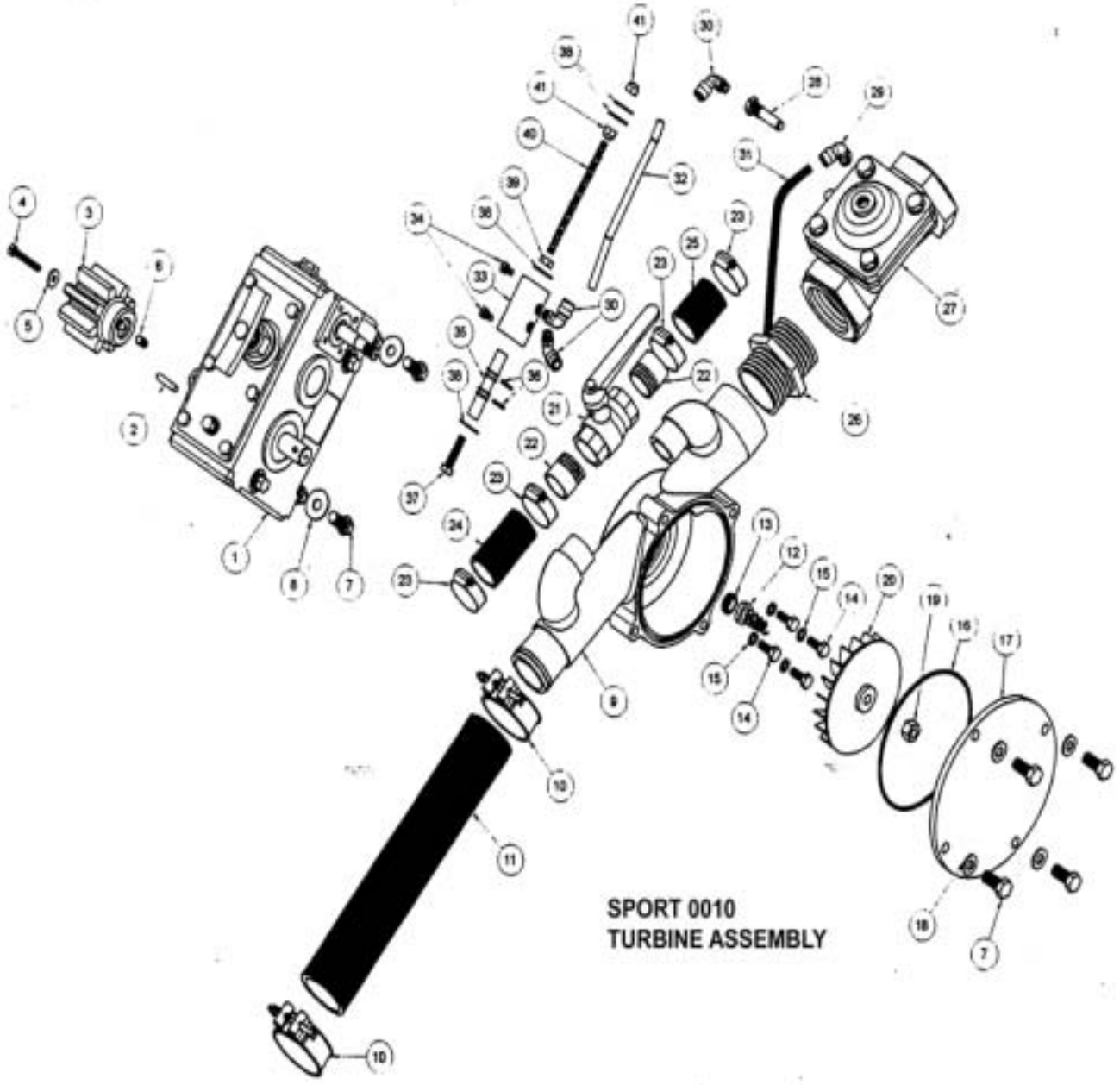
ITEM #	QTY	PART #	DESCRIPTION	DIMENSIONS
1	1	IP70-C-501	Spool	
2	1	IPTP-040150	Polyethylene Tube	50 mm
3	2	IP01-M-247	Spacer	
4	1	IP01-M-211	Washer	
5	2	IP79-C-01/A	Bearing	
6	1	IP01-M-158	Sprocket	32 T 3/8 50mm
7	1	IPU-103-08070	Bolt	8 mm X 70mm
8	1	IPU-026-08	Locking Nut	8 mm
9	4	IPS-181-002	Clamp	50 mm
10	1	IPU-175-05016534	O-Ring	ID 50mm
11	1	IP73-C-501	Elbow	
12	2	IPU-100-10035	Bolt	10mm x 35mm
13	4	IPU-084-102120	Flat Washers	10mm
14	2	IPU-001-10	Locking Nuts	10mm
15	1	IPS-024-007	Gasket	50 mm



SPORT 0009
GUARD & LEVELWIND

SPORT GUARD & LEVELWIND 0009

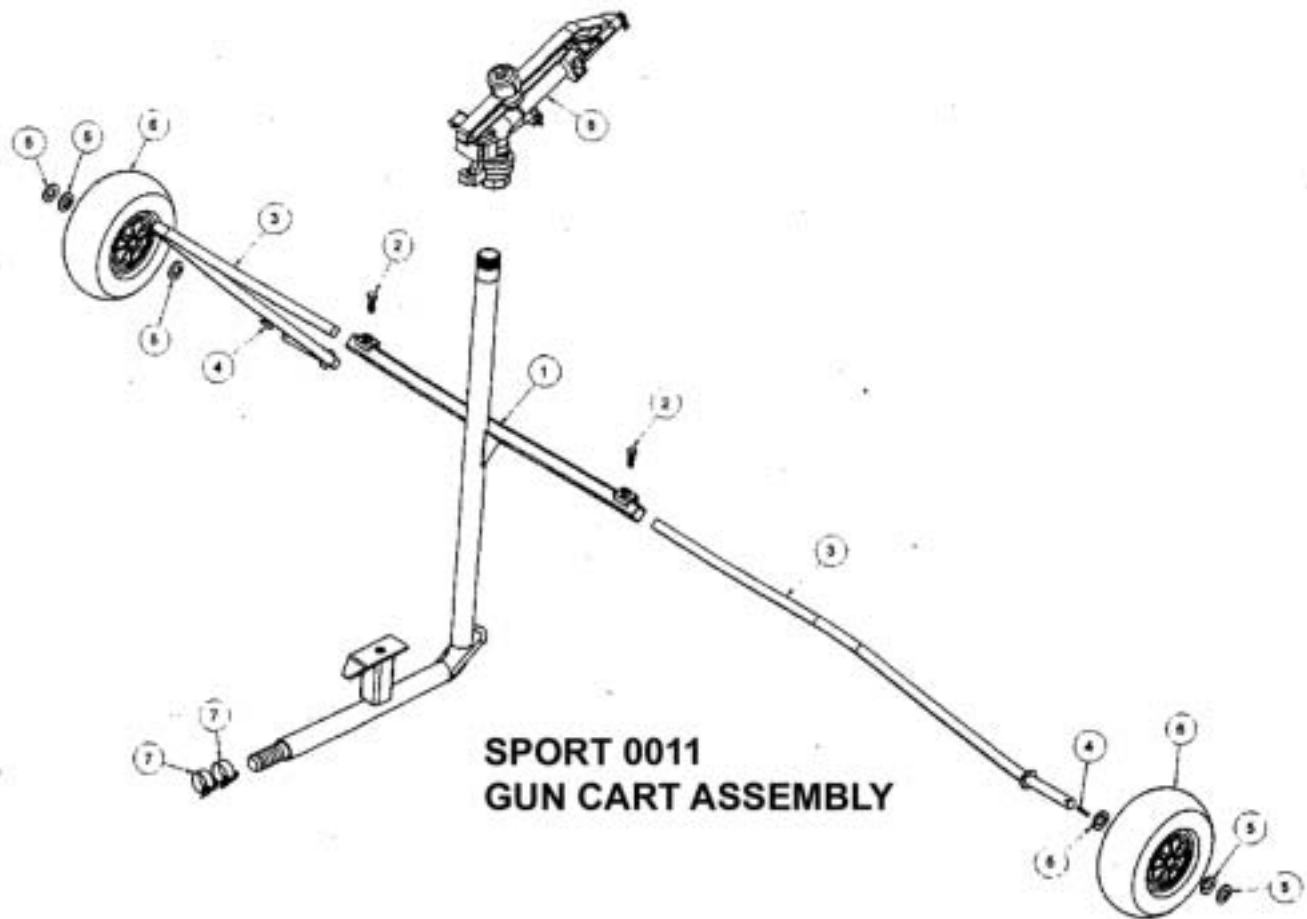
ITEM #	QTY	PART #	DESCRIPTION	DIMENSIONS
1	1	IPS-092-004	Upper Guard	
2	1	IPS-092-041	Lower Guard	
3	7	IPU-100-08016	Bolt	8mm x16 mm
4	6	IPU-084-082420	Flat Washer	8mm
5	5	IPU-193-3809	Rivet	
6	7	IPU-084-041215	Washer	4mm
7	1	IPS-092-001	Levelwind Guard	
8	1	IPU-100-06016	Bolt	6mm x 16 mm
9	1	IPU-084-061820	Flat Washer	6mm
10	1	IP01-M-138/B	Levelwind Screw Sport	40MM X 33 3/4"
11	1	IP79-C-06	Bushing	
12	1	IP01-M-08/A	Levelwind Block	
13	1	IP01-M-18	Levelwind Fork	
14	1	IPU-060-035	Snap/Ring	37.80mm
15	1	IPU-094-03	Grease Fitting	
16	1	IP78-C-501/A	Hose Levelwind Bracket	
17	4	IPU-100-08020	Bolt	8mm x 20mm
18	6	IPU-084-081716	Lock Washer	8mm
19	1	IPU-088-0820	Key, For Levelwind Screw	8x7x20mm
20	1	IPU-184-001	Levelwind Bearing	
21	2	IPU-100-12035	Bolt	12mm x 35mm
22	4	IPU-084-122425	Flat Washer	12mm
23	2	IPU-001-12	Locking Nut	12mm
24	1	IP01-M-160	Levelwind Sprocket	31t 3/8 50dia
25	1	IPU-048-08020	Lock Screw	8mm
26	1	IPU-194-001	Levelwind Drive Chain	08B
27	1	IP01-M-158	Reel Sprocket	32t 3/8 50dia
28	1	IPU-103-08070	Bolt	8mm x 70mm
29	2	IPU-026-08	Locking Nut	8mm
30	1	IPS-092-002	Inter Chain Guard	
31	1	IPS-092-003	Outer Chain Guard	
32	1	IPS-102-002	Chain Guard Bracket	
33	2	IIPU-054-4213	Screw	4.2X13mm
34	2	N/A	Lock Clip	4.2mm



SPORT 0010
TURBINE ASSEMBLY

SPORT TURBINE ASSEMBLY 0010

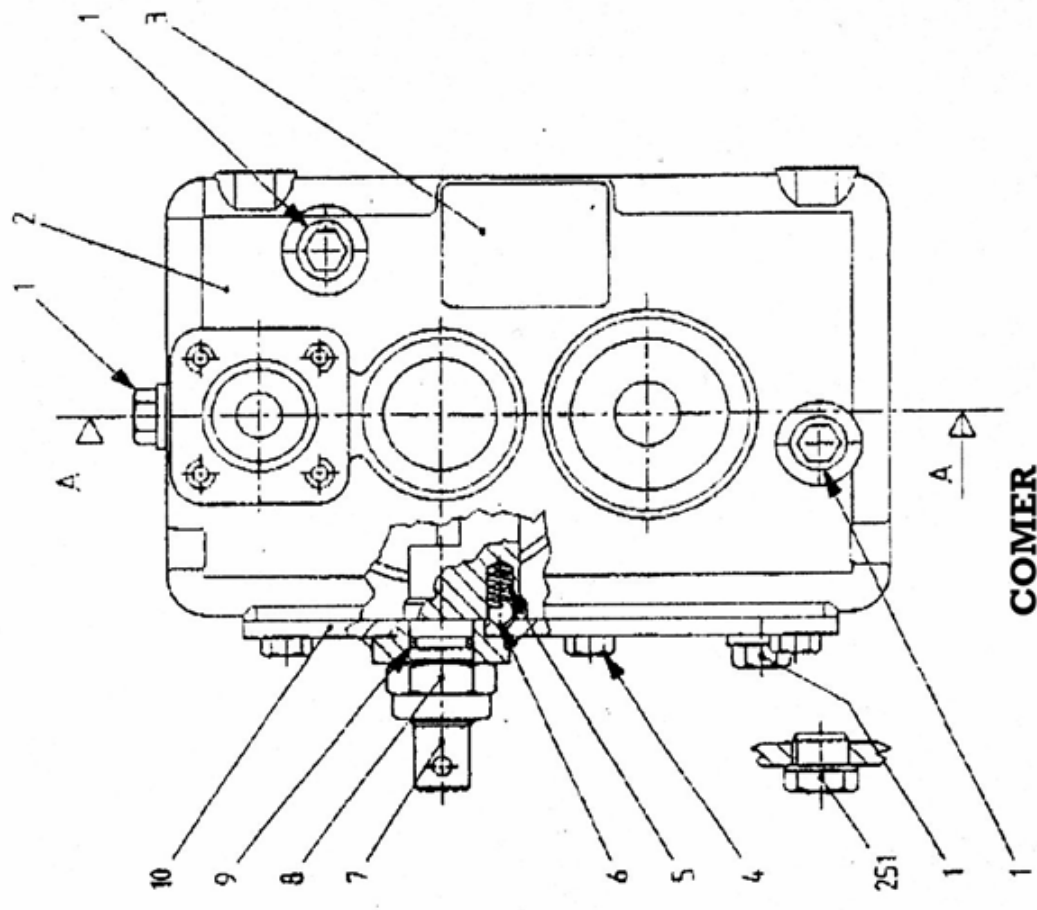
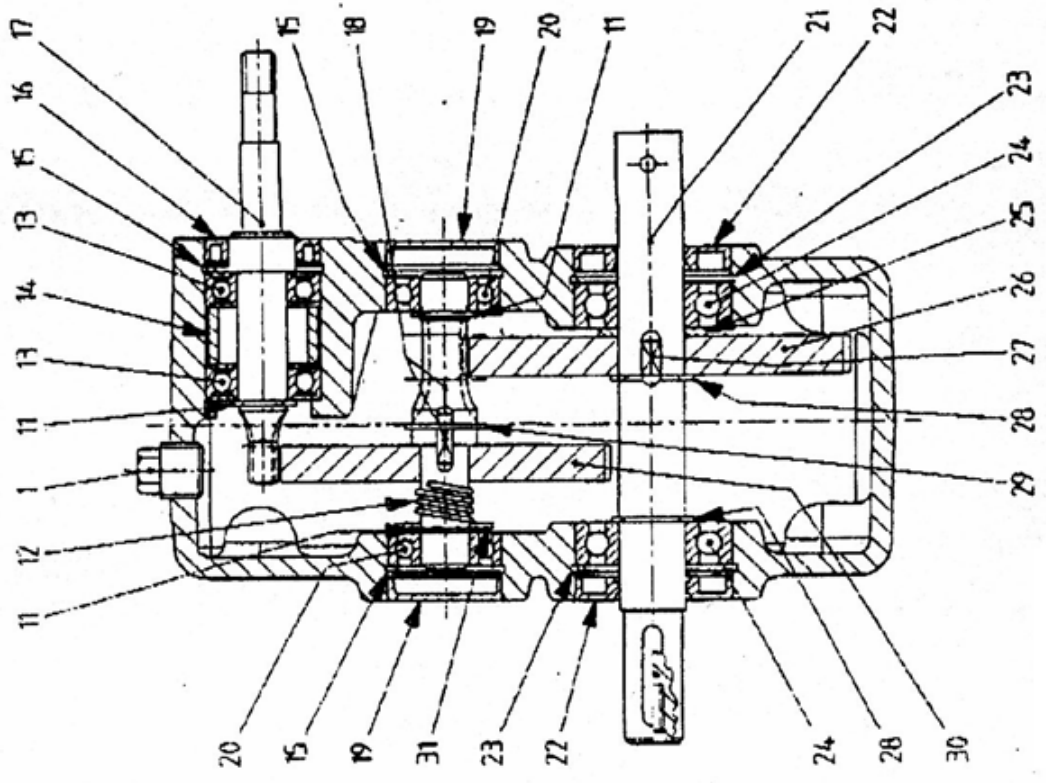
ITEM #	QTY	PART #	DESCRIPTION	DIMENSIONS
1	1	IPS-094-011	Gearbox Assembly	GI 5
2	2	IPU-088-0630	Key for Output Shaft on Gearbox	6mmX6mmX30
3	1	IP01-M-139/C	Spool Drive Sprocket	8 t 7mm
4	1	IPU-100-06040	Bolt	6mm x 40mm
5	5	IPU-084-061820	Flat Washer	6 mm
6	1	IPU-044-08016	Set Screw	8 mm
7	8	IPU-100-10025	Gearbox Mounting bolts & Turbine Plate Bolts	10mm x 25mm
8	4	IPU084-103025	Gearbox Mounting Flat Washers	10mm
9	1	IP01-F-12	Turbine Housing	
10	2	IPU-182-058063	Hose Clamp	CM11
11	1	IP73-C-01	Hose, Turbine To Reel	2" X 13"
12	1	IPU-185-011E010	Seal Assembly (item 12-13)	Dia. 12mm
13				
14	4	IPU-100-08020	Bolt	8mm X 20 mm
15	4	IPU-119-08	Washer	Dia. 8mm
16	1	IPU-175-14572262	O-Ring	
17	1	IP01-M-212	Turbine Clove Plate	
18	4	IPU-084-102120	Washer	Dia. 10mm
19	1	IP01-M-243	Impeller Nut	
20	1	IP79-C-01	Impeller for Turbine	
21	1	IPS-177-003	Speed Control Ball Valve	1" bpt
22	2	IPS-045-01030	Threaded Hose Barb	1" bpt
23	4	IPU-144-1425045	Hose Clamp	44mm
24	1	IP73-C-03	Hose	1"x 3" 25mm
25	1	IP73-C-02	Hose	1"x 3" 25mm
26	1	IPU-111-200	Double Male Threaded Adapter	
27	1	IPS-060-200	End of Run Closing Valve	2 "bpt
28	1	IPS-060-004	Bolt	
29	1	IPU-027-0814	Water Tube Elbow	90 degree x 1/4"
30	3	IPU-027-0818	Water Tube Elbow	90 degree x 1/8"
31	1	IPS-074-004	Watertube for the End of Run Valve	8mm
32	1	IP00-17-03/B	Watertube for Shut Down Valve	
33	1	IPU-100-06010	Shut Down Valve Body	
34	2	IP00-17-04/A	Mounting Screw	6mm x 10mm
35	1	IPU-175-00992262	Plunger, for the Shut Down Valve	
36	2	IPU-100-08035	O-Ring	
37	1	IPU-084082420	Bolt	
38	4	IPU-001-08	Washer	
39	1	IPU-191-008MDB	Nut	
40	1	IPU-026-08	Spring	
41	2	IP00-26-517	Locking Nut	



**SPORT 0011
GUN CART ASSEMBLY**

SPORT GUN CART ASSEMBLY 0011

ITEM #	QTY	PART #	DESCRIPTION	DIMENSIONS
1	1	IP00-38-501/C	Gun Cart Tube w/ Bracket	50 mm
2	2	IPU-100-10030	Locking Bolt	10 mm x 30 mm
3	2	IP00-38-502/C	Gun Cart Leg Axle	
4	2	IPU-069-05040	Roll Pin	5 mm x 40 mm
5	6	IPU-084-203730	Washer	20 mm
6	2	IPU-176-014	Wheel & Tire Assembly	3.00 X 4 2ply r
6a	2	IPU-176-014A	Tire	
6b	2	IPU-176-014B	Tube	
6c	2	IPU-176-014C	Wheel	
7	2	IPS-181-002	Hose Clamp	50 mm
8	1	GXHIDRA	Hidra Sprinkler	



COMER
741.001.00

741.001.00

REF.#	CODE #	QTY	DESCRIPTION	DIMENSIONS
1	8.6.5.00006	4	PLUG 3/8 GAS	
2	0.741.0300.00	1	HOUSING	
3	0.124.7101.00	1	TAG I.D.	
4	8.11.101676	6	SCREW, CAP M8X18 8.8	
5	0.721.7101.00	1	SPRING	
6	8.5.9.00156	1	SPHERE 5/16 7.9 MM	
7	0.741.7000.00	1	LEVER	
8	5.2.6.00740	1	NUT,AUTOLOCK M20x15	
9	8.7.6.00191	1	O-RING OR3062	
10	2.741.1301.00	1	COVER	
11	5.5.1.00256	3	SNAP RING	
12	0.741.7102.00	1	SPRING	
13	8.0.1.01303	2	BEARING 6202 3RS	
14	0.741.7101.00	1	SPACER	
15	8.5.2.01265	3	SNAP RING	
16	8.7.3.01744	1	SEAL, OIL 20-35-7	
17	0.741.5003.00	1	SHAFT, TURBINE	
18	2.741.5002.00	1	KEY	
19	8.7.0.01253	2	FROST PLUG 35x7	
20	8.0.1.01150	2	BEARING 6202	
21	0.741.3100.00	1	SHAFT	
22	8.7.3.01395	2	SEAL, OIL 20-47-7	
23	8.52.01290	2	SNAP RING	
24	8.0.1.00405	2	BEARING 6204	
25	0.104.7525.00	1	SNAP RING	
26	0.741.6001.00	1	GEAR Z 116	
27	8.4.1.01743	1	KEY 6x6x10	
28	9.5.1.00261	2	SNAP RING	
29	8.5.3.01814	1	RING	
30	0.741.6000.00	1	GEAR Z136	
31	0.782.7515.00	1	SNAP RING	
251	8.6.4.00673	1	LEVER	